

The BelGAS<sup>CP</sup> P7200 series valve is a pneumatically operated open yoke control valve that is designed to control the flow of a variety of fluids at pressures up to 4000 PSIG. The control valve has a NACE compliant optional construction to withstand severely corrosive mediums associated with the oil and gas industry. A wide variety of trim size, material, and flow characteristics are available to handle different mediums and applications.

### Applications

- Dumping liquids accumulated in production vessels
- Control pressure or flow of gas or liquid with the use of a pilot

### Features

- **Open Yoke Design:** The open yoke allows for the position of the stem to be visible during use from any angle. An I/P or electro-pneumatic positioner can be mounted to the actuator.
- **Field Reversible Actuator:** The actuator is capable of withstanding up to 45 PSIG and can be switched between "Fail Close" and "Fail Open" with no additional parts. Range of springs to accommodate lower supply pressure.
- **Trim Variety:** Nominal (Linear), Quick Opening (On/Off), and Equal Percentage trim options are available for a range of applications. The trim is available in Steel, Hardened Stainless Steel, or Tungsten Carbide.
- **Sour Gas Service:** NACE MR0175 compliant materials are available to ensure functionality in sour gas applications.



### Specifications

Body Pressure Rating	4000 PSI
Buna-N Elastomer Material Temperature Range	-40°F to 250°F (°C)
Fluorocarbon Elastomer Material Temperature Range	-15°F to 400°F (°C)
Shutoff Classification	ANSI Class IV
Actuator Air Pressure	45 PSIG Max

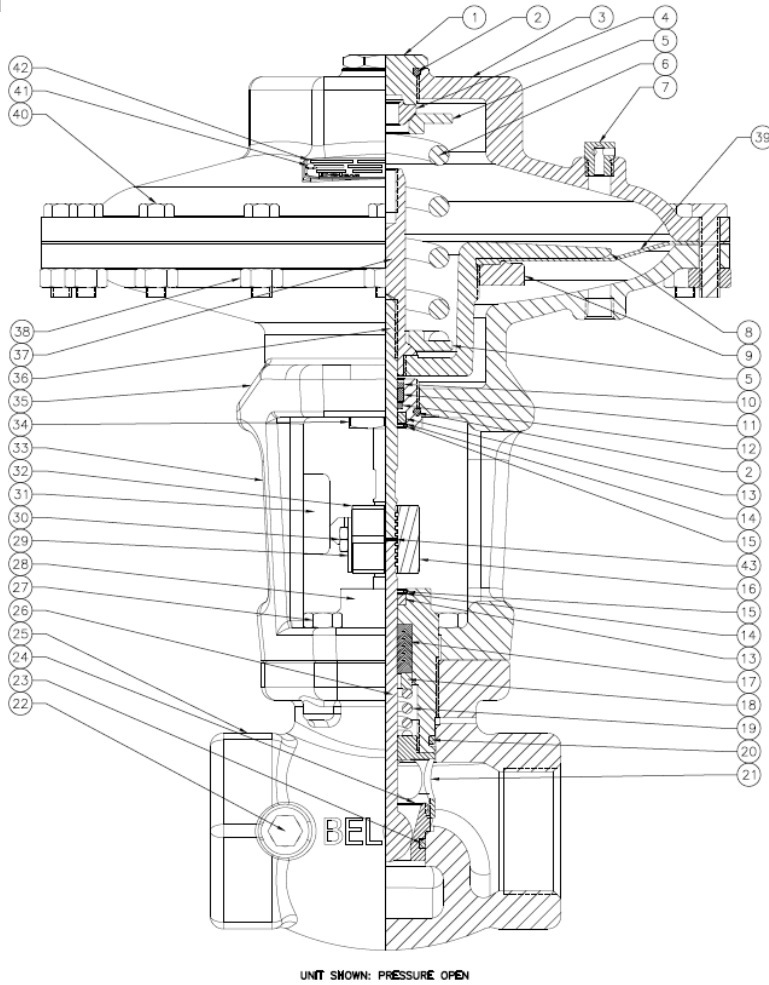
### Materials of Construction

Component	Standard	NACE Compliant
Body	LCC Steel	LCC Steel
Actuator	ASTM A395	ASTM A395
Stuffing Box	ASTM A105	316 Stainless Steel
Stem	316 Stainless Steel	316 Stainless Steel
Cage	ASTM A108	316 Stainless Steel
Seat	ASTM A681	17-4PH Stainless Steel

P72 0 0																Style	Availability	
0 0																	Open Yoke	
																	<b>Body Size</b>	
0 8																	1"	
1 6																	2"	
																	<b>End Connections</b>	
S																	Female NPT	1" & 2"
F																	Raised Face Flange (RF)	2"
																	<b>ANSI Class (Pressure Rating)</b>	
1																	ANSI 150	2"
3																	ANSI 300	2"
6																	ANSI 600	2"
5																	ANSI 1500 (FNPT 4000 PSIG Working Pressure @200°F)	1" & 2"
																	<b>Material of Construction (Body/Actuator)</b>	
S																	Standard Construct	1" & 2"
N																	NACE Construct	1" & 2"
																	<b>Body Style</b>	
G																	Tapped Globe (4000 PSIG WP)	1" & 2"
A																	Tapped Angle Body (4000 PSIG WP)	1"
T																	Tapped Angle Body (4000 PSIG WP)	2"
																	<b>Spring Range</b>	
1 0																	10 PSIG Spring	1"
1 5																	15 PSIG Spring	2"
2 0																	20 PSIG Spring	1" & 2"
3 0																	30 PSIG Spring (Recommended to use on 2")	1" & 2"
																	<b>Actuator Configuration</b>	
C																	Fail Close, Pressure Opening (PO)	1" & 2"
N																	Fail Open, Pressure Closing (PC)	1" & 2"
																	<b>Diaphragm/Seal Material</b>	
0																	Buna-N	1" & 2"
2																	Fluorocarbon	1" & 2"
																	<b>Trim Material</b>	
1 0 E																	17-4PH, 1/8" Equal Percentage <sup>N</sup>	1"
1 4 E																	17-4PH, 1/4" Equal Percentage <sup>N</sup>	1" & 2"
1 7 E																	17-4PH, 7/16" Equal Percentage <sup>N</sup>	2"
1 8 E																	17-4PH, 1/2" Equal Percentage <sup>N</sup>	1"
1 A E																	17-4PH, 5/8" Equal Percentage <sup>N</sup>	2"
1 C E																	17-4PH, 7/8" Equal Percentage <sup>N</sup>	2"
2 0 E																	Tool Steel, 1/8" Equal Percentage	1"
2 4 E																	Tool Steel, 1/4" Equal Percentage	1" & 2"
2 7 E																	Tool Steel, 7/16" Equal Percentage	2"
2 8 E																	Tool Steel, 1/2" Equal Percentage	1"
6 A E																	Tool Steel, 5/8" Equal Percentage	2"
6 C E																	Tool Steel, 7/8" Equal Percentage	2"
1 4 L																	17-4PH, 1/4" Linear <sup>N</sup>	1" & 2"
1 6 L																	17-4PH, 3/8" Linear <sup>N</sup>	1" & 2"
1 8 L																	17-4PH, 1/2" Linear <sup>N</sup>	1" & 2"
1 B L																	17-4PH, 3/4" Linear <sup>N</sup>	2"
1 D L																	17-4PH, 1" Linear <sup>N</sup>	2"
2 4 L																	Tool Steel, 1/4" Linear	1" & 2"
2 6 L																	Tool Steel, 3/8" Linear	1" & 2"
2 8 L																	Tool Steel, 1/2" Linear	1" & 2"
6 B L																	Tool Steel, 3/4" Linear	2"
6 D L																	Tool Steel, 1" Linear	2"
3 4 S																	1/4" Quick Opening	1"
3 6 S																	3/8" Quick Opening	1"
3 8 S																	1/2" Quick Opening	1"
4 4 S																	1/4" Quick Opening	2"
4 6 S																	3/8" Quick Opening	2"
4 8 S																	1/2" Quick Opening	2"
5 B S																	3/4" Quick Opening	2"
5 D S																	1" Quick Opening	2"

<sup>N</sup>-For the unit to be NACE compliant it must have the proper combinations of materials

Figure 1



**P7200 Repair Kits**

Elastomer Repair Kit	
971-P72	5
↑ ↑ ↑	
Type	
5	Elastomer Repair Kit
1	P7200 1"
2	P7200 2"
0	Buna-N
2	Fluorocarbon

<sup>(1)</sup>-Used in Standard Elastomer Repair Kit  
<sup>(2)</sup>-Used in Standard Trim Repair Kit

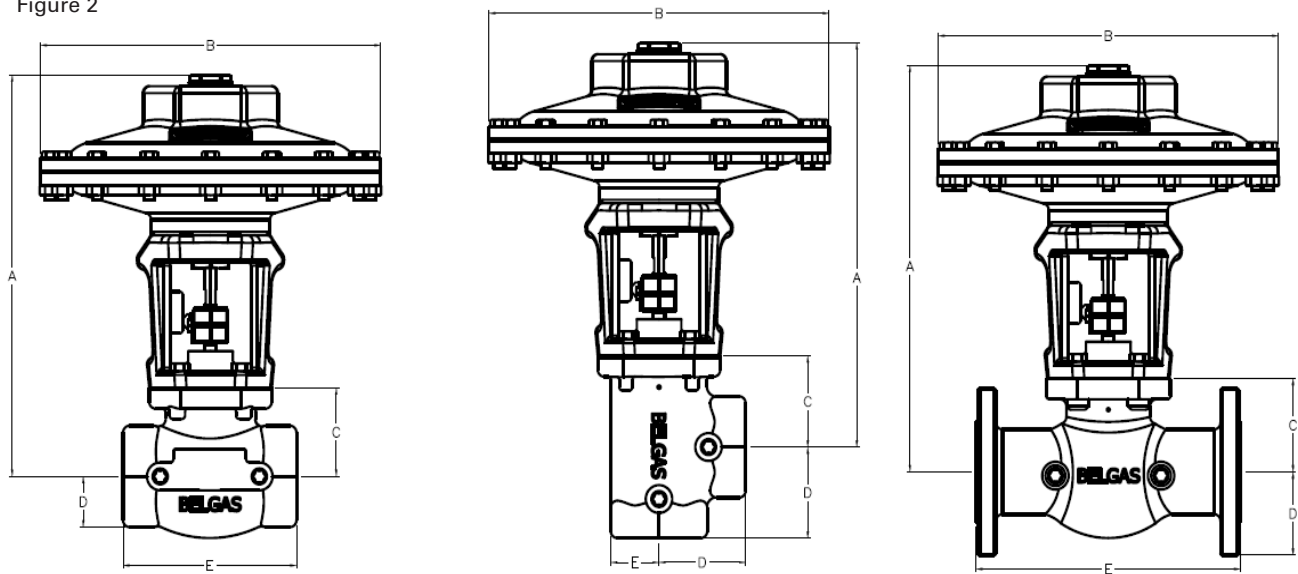
Item	Description	QTY	Part Number 1"	Part Number 2"	
1	Upper Adjustment Screw	1	648-597-000	648-609-000	
2	Adjustment Screw O-Ring <sup>(1)</sup>	2	Buna-N	649-000-197	649-309-009
			Fluorocarbon	649-000-342	649-384-002
3	Bonnet	1	604-566-000	604-568-000	
4	Pivot	1	694-004-000	694-005-000	
5	Spring Plate	2	638-107-000	638-118-000	
6	Range Spring	1	10 PSIG	655-803-000	
			15 PSIG		655-812-000
			20 PSIG	655-804-000	655-813-000
			30 PSIG	655-805-000	655-814-000
7	Breather Plug	1	639-144-000		
8	Diaphragm Plate	1	638-106-000	638-117-000	
9	Diaphragm Ring	1	634-229-000	634-235-000	
10	Lower Adjustment Screw Insert <sup>(1)</sup>	1	665-228-000	655-231-000	
11	Lower Adjustment Screw Bushing <sup>(1)</sup>	1	608-097-000	608-100-000	
12	Lower Adjustment Screw O-Ring <sup>(1)</sup>	1	Buna-N	649-000-004	649-292-000
			Fluorocarbon	649-323-000	649-300-000
13	Felt Wiper <sup>(1)</sup>	2	662-252-000	662-256-000	
14	Felt Wiper Washer <sup>(1)</sup>	2	662-251-000	662-251-001	
15	Retaining Ring <sup>(1)</sup>	2	693-034-000	693-034-001	
16	Stem Clamp Block	1	669-034-000	669-038-000	
17	Packing <sup>(1)</sup>	1	Buna-N	824-004-000	824-005-000
			Fluorocarbon	824-004-001	824-225-001
18	Packing Washer	1	662-250-000	662-255-000	
19	Stuffing Box Spring	1	Eligloy	655-801-000	655-810-000
			302 SS	655-802-000	655-811-000
20	Stuffing Box O-Ring <sup>(1)</sup>	1	Buna-N	649-309-013	649-309-005
			Fluorocarbon	010-380-008	649-384-003
21	Cage	1	Stainless Steel	704-022-000	704-023-000
			Steel	704-022-001	704-023-001

Item	Description	QTY	Part Number 1"	Part Number 2"	
22	High Pressure Plug	2	639-150-001	639-150-001	
23	Seat O-Ring <sup>(1) (2)</sup>	1	Buna-N	649-000-016	649-327-000
			Fluorocarbon	010-380-000	649-328-000
24	Seat <sup>(2)</sup>	1	See Repair Kits	See Repair Kits	
25	Body	1	Globe	664-612-000	664-623-000
			150 RF		664-682-001
			300 RF		664-682-002
			600 RF		664-682-003
	Angle		664-677-000	664-674-000	
26	Plug Stem Assembly <sup>(2)</sup>	1	See Repair Kits	See Repair Kits	
27	Body Screws	4	648-463-012	648-467-016	
28	Stuffing Box	1	Stainless Steel	639-156-000	639-168-000
			Steel	639-156-001	639-168-001
29	Travel Indicator	1	711-002-000	711-004-000	
30	Stem Clamp Screws	1	648-429-000	648-429-016	
31	Travel Indicator Scale	1	711-003-000	711-005-000	
32	Stem Clamp Block	1	669-033-000	669-037-000	
33	Travel Indicator Screws	2	648-000-378		
34	Lower Adjustment Screw	1	648-596-000	648-608-000	
35	Yoke	1	629-272-000	629-279-000	
36	Upper Stem	1	689-030-000	689-036-000	
37	Diaphragm Stem	1	689-031-000	689-037-000	
38	Actuator Nuts	10/16	634-216-000 <sup>(10)</sup>	634-216-000 <sup>(16)</sup>	
39	Diaphragm	1	Buna-N	618-121-000	618-125-000
			Fluorocarbon	618-121-001	618-125-001
40	Actuator Screws	10/16	634-216-000 <sup>(10)</sup>	648-466-011 <sup>(16)</sup>	
41	Nameplate Drive Screw	2	648-573-000		
42	Nameplate	1	632-571-000		
43	Stem Clamp Block Spring Pin	1	635-098-000		

## Trim Repair Kits & Dimensions

VALVE	FLOW CHARACTERISTIC	MATERIAL	INNER VALVE SIZE									
			1/8"	1/4"	3/8"	7/16"	1/2"	5/8"	3/4"	7/8"	1"	
1"	Equal Percentage	17-4PH	971P72012	971P72013				971P72014				
		Tool Steel	971P72015	971P72016				971P72017				
	Linear	17-4PH		971P72000	971P72001		971P72002					
		Tool Steel		971P72003	971P72004		971P72005					
	Quick Opening	Carbide		971P72006	971P72007		971P72008					
2"	Equal Percentage	17-4PH		971P72018		971P72020		971P72022		971P72024		
		Tool Steel		971P72019		971P72021		971P72023		971P72025		
	Linear	17-4PH		971P72030	971P72031		971P72032		971P72033		971P72028	
		Tool Steel		971P72034	971P72035		971P72036		971P72040		971P72029	
	Quick Opening	Carbide		971P72037	971P72026		971P72027		971P72038		971P72039	

Figure 2



	1" GLOBE	1" ANGLE	2" GLOBE	2" ANGLE	2" 150#RF	2" 300#RF	2" 600#RF
A	10.386	10.325	14.468	14.561	14.645	14.645	14.645
B	9.000	9.000	12.875	12.875	12.875	12.875	12.875
C	2.000	1.938	3.188	3.281	3.365	3.365	3.365
D	1.219	2.031	1.825	3.281	3.000	3.250	3.250
E	4.500	2.031	6.563	3.281	10.000	10.500	11.250

Contact your BelGASCP representative or go to [www.BelGASCP.com](http://www.BelGASCP.com) to learn more about our products.



**Trusted.  
Proven.  
Better.**

8019 Ohio River Blvd.  
Newell, WV 26050  
Toll Free: 800-727-5646  
[www.BelGASCP.com](http://www.BelGASCP.com)

2221 SE 69th Street  
Oklahoma City, OK 73149  
Toll Free: 800-833-3127