

The BelGAS CP P7200 Piston Balanced series valve is a pneumatically operated open yoke control valve. The P7200 Piston Balanced series is designed to control a variety of fluids at pressures up to 4000 PSIG in high flow environments.

The control valve has a NACE compliant optional construction to withstand severely corrosive mediums associated with the oil and gas industry. A pair of trim sizes with both NACE and standard materials of construction along with a variety of seal ring materials are available for different media and applications

Applications

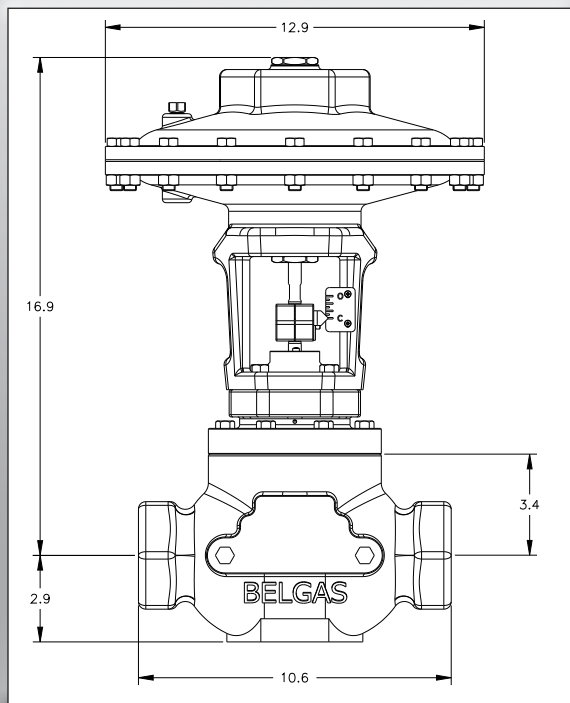
- High pressure/High flow dump valves
- Pressure/Flow control applications in high pressure and high flow environments, when used with a pressure pilot

Features

- **Open Yoke Design:** The open yoke allows for the position of the stem to be visible during use from any angle. An I/P or electro-pneumatic positioner can be mounted to the actuator.
- **Reversible Iron Actuator:** The actuator can withstand up to 45 PSIG. Field reversible actuator allowing the valve to be switched between “Fail Close” to “Fail Open” with no additional parts. 15 PSIG, 20 PSIG, and 30 PSIG springs are available for a range of applications.
- **Trim Variety:** Trim combinations are available for a variety of situations. The trims are available in both 17-4 NACE options, and hardened tool steel standard options. They come in two sizes to best control flow options, and the paired seal rings are available in HSN, AFLAS, and Teflon.
- **Piston Balanced Design:** Cage guided, and pressure balanced trim allows for high flow and high pressure operation.
- **Sour Gas Service:** NACE MR0175 compliant materials are available to ensure functionality in sour gas applications.



Dimensions



Specifications

Body Pressure Rating	4000 PSI
Assembled Valve Temperature Range	-20°F to 300°F
Shutoff Classification	ANSI Class VI
Actuator Air Pressure	45 PSIG Max

Materials of Construction

Component	Standard	NACE Compliant
Body	LCC Steel	LCC Steel
Stuffing Box	Carbon Steel	316 Stainless Steel
Piston Head	D2 Tool Steel	17-4PH Stainless Steel
Ratio Plug	D2 Tool Steel	17-4PH Stainless Steel
Stem	316 Stainless Steel	316 Stainless Steel
Cage	Cast CF8M Stainless Steel	Cast Grade 7 CB-CU-1
Seat	D2 Tool Steel	17-4PH Stainless Steel

P7200 Parts Matrix

P72	P	B	1	6	S	5																Style		
	↑	↑	↑	↑	↑	↑	↑	↑	↑	↑	↑	↑	↑	↑	↑	↑	↑	↑	↑	↑	↑	Piston Balanced		
		P	B																			Body Size		
				1	6																		2"	
						S																End Connections		
							S																Female NPT	
								5														ANSI Class (Pressure Rating)		
									5														ANSI Class 1500**	
										S												Material of Construction (Body/Actuator)		
											S												Standard Construction	
												N											NACE Construction ^N	
													P									Body Style		
														P									Tapped Piston Body	
															1							Spring Range		
																2							15 PSIG Spring	
																	3						20 PSIG Spring	
																							30 PSIG Spring	
																						Actuator Configuration		
																							Fail Close	
																							Fail Open	
																							Diaphragm/Seal/Seat Ring Material	
																							Buna-N/Buna-N/HSN	
																							Fluorocarbon/Fluorocarbon/Teflon	
																							Buna-N/HSN/HSN	
																							Buna-N/AFLAS/AFLAS	
																							Trim Size	
																							1 1/2" Trim Size	
																							2" Trim Size	
																							Trim Material	
																							T	
																							D2 Tool Steel	
																							1	
																								17-4PH Stainless Steel ^N

P7200 Repair Kits

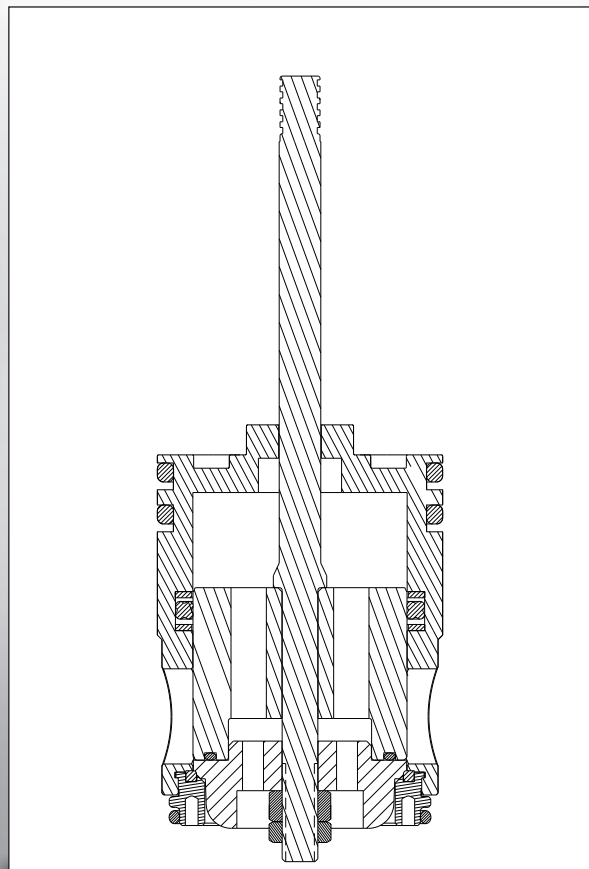
Trim Subassembly Repair Kit

971PB16	↑	↑	↑			Seal Type
				0		Buna-N O-Rings, HSN Seat Seal Ring
				2		Fluorocarbon O-Rings, Fluorocarbon Seat Seal Ring
				5		HSN O-Rings, HSN Seat Seal Ring
				A		AFLAS O-Rings, AFLAS Seat Seal Ring
						Trim Size, and Trim Material*
				1	1	1 1/2" Trim, 17-4PH Stainless Steel
				1	T	1 1/2" Trim, D2 Tool Steel
				2	1	2" Trim, 17-4PH Stainless Steel
				2	T	2" Trim, D2 Tool Steel

Elastomer Repair Kit

971B72	↑	↑	↑			Repair Kit Type
				5		Elastomer Repair Kit
						Elastomer Material
				0	0	Buna-N O-Rings, HSN Seat Seal Ring
				0	1	Fluorocarbon O-Rings, Teflon Seat Ring
				0	2	HSN O-Rings, HSN Seat Ring
				0	3	AFLAS O-Rings, AFLAS Seat Ring

Trim Subassembly

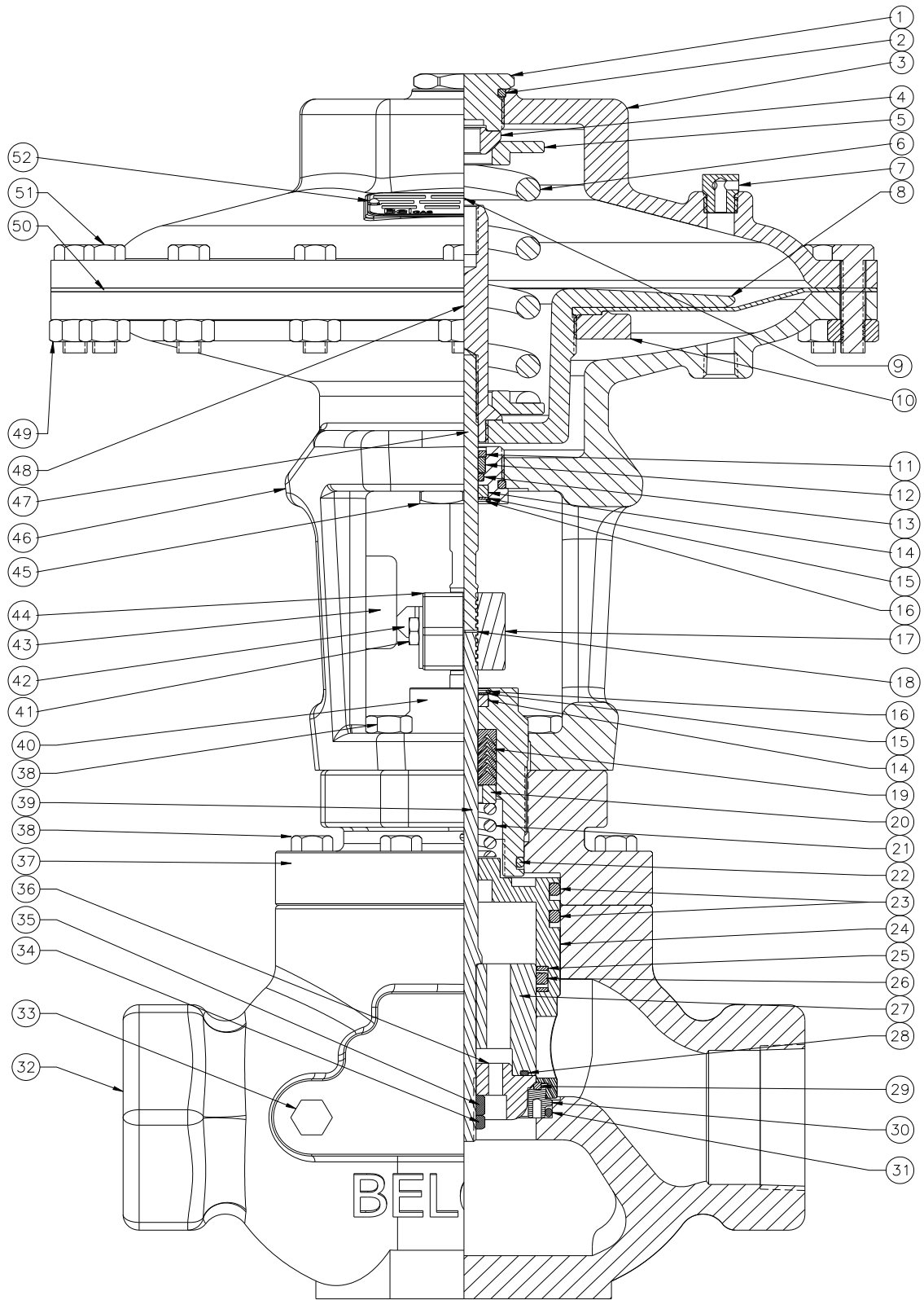


N-Nace Compliant Options

*-All stems 316 Stainless Steel

**-FNPT 4000 PSIG Working Pressure @200 F

P7200 Cross Section



P7200 Parts List

Item	Description	QTY	Part Number
1	Upper Adjustment Screw	1	648-609-000
2	Adjustment Screw O-Ring	1	Buna-N 649-309-009
			Fluorocarbon 649-384-002
			HSN 649-433-004
			AFLAS 649-428-001
3	Bonnet	1	604-568-000
4	Spring Pivot	1	694-005-000
5	Spring Plate	2	638-118-000
6	Range Spring	1	15 PSIG 655-812-000
			20 PSIG 655-813-000
			30 PSIG 655-814-000
7	Breather Plug	1	639-144-000
8	Diaphragm Plate	1	638-117-000
9	Nameplate	1	632-571-000
10	Diaphragm Ring	1	634-235-000
11	Lower Adjustment Screw Insert	1	665-231-000
12	Lower Adjustment Screw Bushing	1	608-100-000
13	Lower Adjustment Screw O-Ring	1	Buna-N 649-292-000
			Fluorocarbon 649-300-000
			HSN 649-433-004
			AFLAS 649-428-001
14	Felt Wiper	2	662-256-000
15	Felt Wiper Washer	2	662-251-001
16	Felt Wiper Retaining Ring	2	693-034-001
17	Clamp Block (Threaded)	1	669-038-000
18	Stem Spacer	1	654-227-000
19	V-Packing	1	649-395-000
20	V-Packing Washer	1	662-255-000
21	Packing Spring	1	SST 655-811-000
			Elgiloy 655-810-000
22	Stuffing Box O-Ring	1	Buna-N 649-309-005
			Flurocarbon 649-384-003
			HSN 649-433-005
			AFLAS 649-428-000
23	Cage O-Ring	2	Buna-N 649-309-017
			Fluorocarbon 649-434-002
			HSN 649-433-002
			AFLAS 649-428-005
24	Cage	1	SST 704-251-001
			CF8M 704-251-000
25	Backup Ring	2	649-432-000
26	Piston Quad-Ring	1	Buna-N 649-430-003
			Fluorocarbon 649-430-001
			HSN 649-430-000
			AFLAS 649-430-002
27	Piston Head	1	SST 637-001-001
			Steel 637-001-000
28	Piston O-Ring	1	Buna-N 649-309-003
			Fluorocarbon 649-434-001
			HSN 649-433-001
			AFLAS 649-428-004
29	Seal Ring	1	AFLAS 649-431-001
			HSN 649-431-004
			Teflon 649-431-005

Item	Description	QTY	Part Number
30	Seat	1	650-236-001
31	Seat O-Ring	1	Buna-N 649-309-018
			Flurocarbon 649-434-000
			HSN 649-433-000
			AFLAS 649-428-003
32	Tapped Body	1	664-667-000
33	High Pressure ¼ NPT Plug	2	639-150-001
34	Piston Lock Nut	1	634-516-000
35	Piston Nut	1	634-515-000
36	Ratio Plug	1	1 ½" SST 639-181-001
			1 ½" Steel 639-181-000
			2" SST 639-182-001
			2" Steel 639-182-000
37	Upper Housing	1	629-304-000
38	Build Screws	12	648-467-016
39	Piston Stem	1	689-055-000
40	Stuffing Box	1	SST 639-168-000
			Steel 639-168-001
41	Clamp Block Screw	2	648-429-016
42	Clamp Block Indicator	1	711-004-000
43	Position Indicator Scale	1	711-005-000
44	Clamp Block (Thru)	1	669-037-000
45	Lower Adjustment Screw	1	648-608-000
46	Yoke	1	629-279-000
47	Upper Stem	1	689-036-000
48	Diaphragm Stem	1	689-037-000
49	Acator Nuts	16	634-216-000
50	Diaphragm	1	Buna-N 618-125-000
			Fluorocarbon 618-125-001
51	Actuator Bolt	16	648-466-011
52	Drive Screw	2	648-573-000



A Division of Marsh Bellofram
 8019 Ohio River Boulevard
 Newell, WV 26050
 800-727-5646
 FAX 304-387-1212
 www.belgascp.com