

The BelGAS^{CP} P4200 series is an oil or water valve designed to withstand severely corrosive mediums associated with the oil and gas industry.

Applications

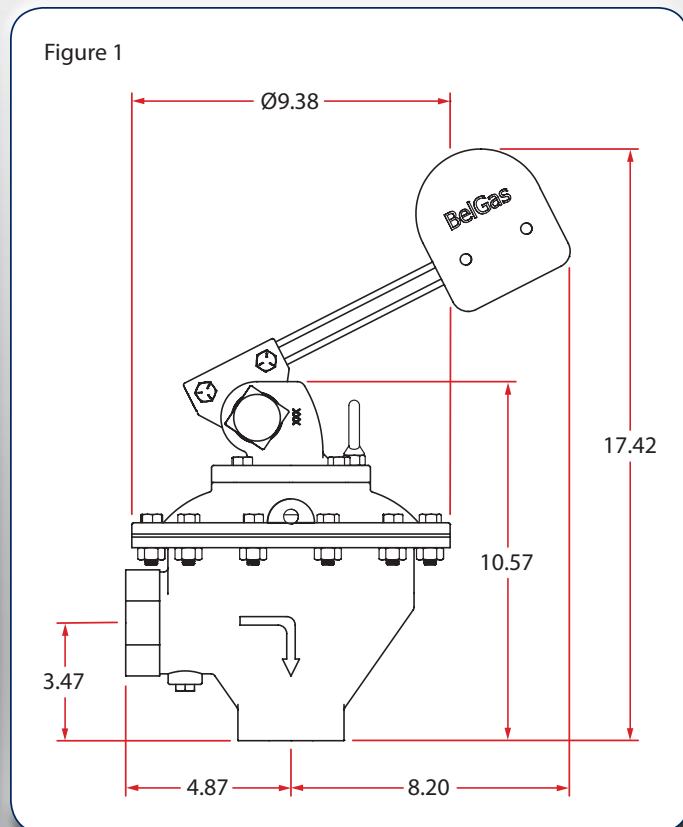
- Heater Treater
- Water Knockouts
- Gun Barrels
- Salt Water Disposal Systems

Features

- **Simple Maintenance:** The valve trim can be quickly changed without removing the valve from the line. Simply loosen the bolts and hex nuts to lift the bonnet and housing free of the body.
- **Signal (Pilot) Port Orientation Option:** Choose from several different orientations to best suit your application needs.
- **Trim Option:** Customers can decide from nitrile and/or fluorocarbon elastomer options.
- **Cage Material Option:** Customers can decide between a carbon steel cage and ratio plug or acetal cage and ratio plug.
- **Trunnion Hub/Shaft D-Key Feature:** The P4200 features a "D" shaped hole in the trunnion hub with a "D" shaped trunnion shaft. This feature allows for ease of maintenance and assembly.



Dimensional Data (in.)



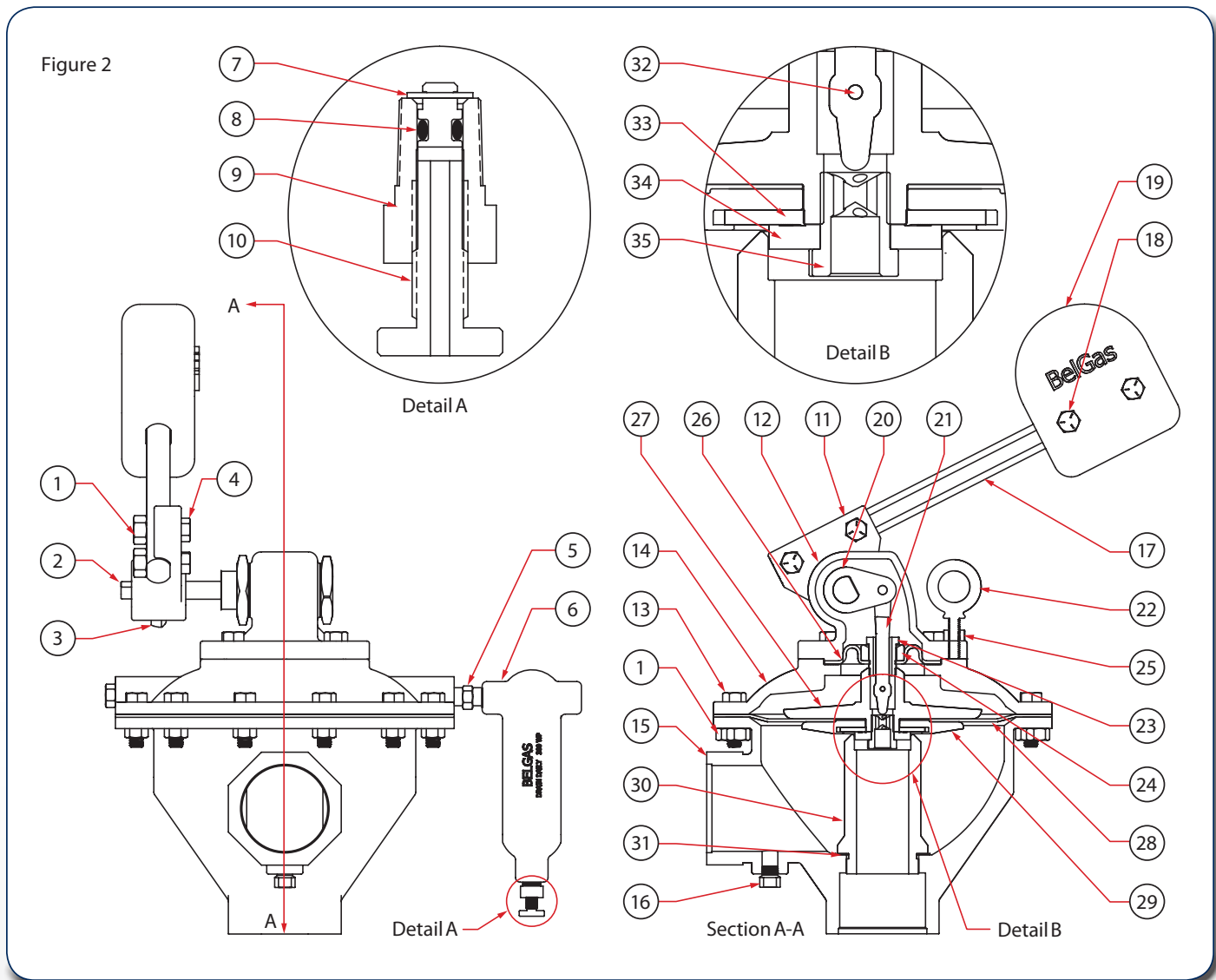
Specifications

Inlet Pressure Rating	125 PSIG (Max)
Assembled Valve Temperature Range	-20° to 200°F (-29° to 93°C)
Shutoff Classification	ANSI Class VI per ANSI/FCI 70-2-2013
Air Pressure To Signal (Pilot)	125 PSIG (Max)

Materials of Construction

Part	Material
Body	Cast Ductile Iron
Diaphragm	Nitrile/Fluorocarbon
Gaskets	Tealon
Housing	Cast Ductile Iron
Seat	Nitrile/Fluorocarbon
Stem	Cast Steel
Cage/Ratio Plug	Cast Iron/Acetal

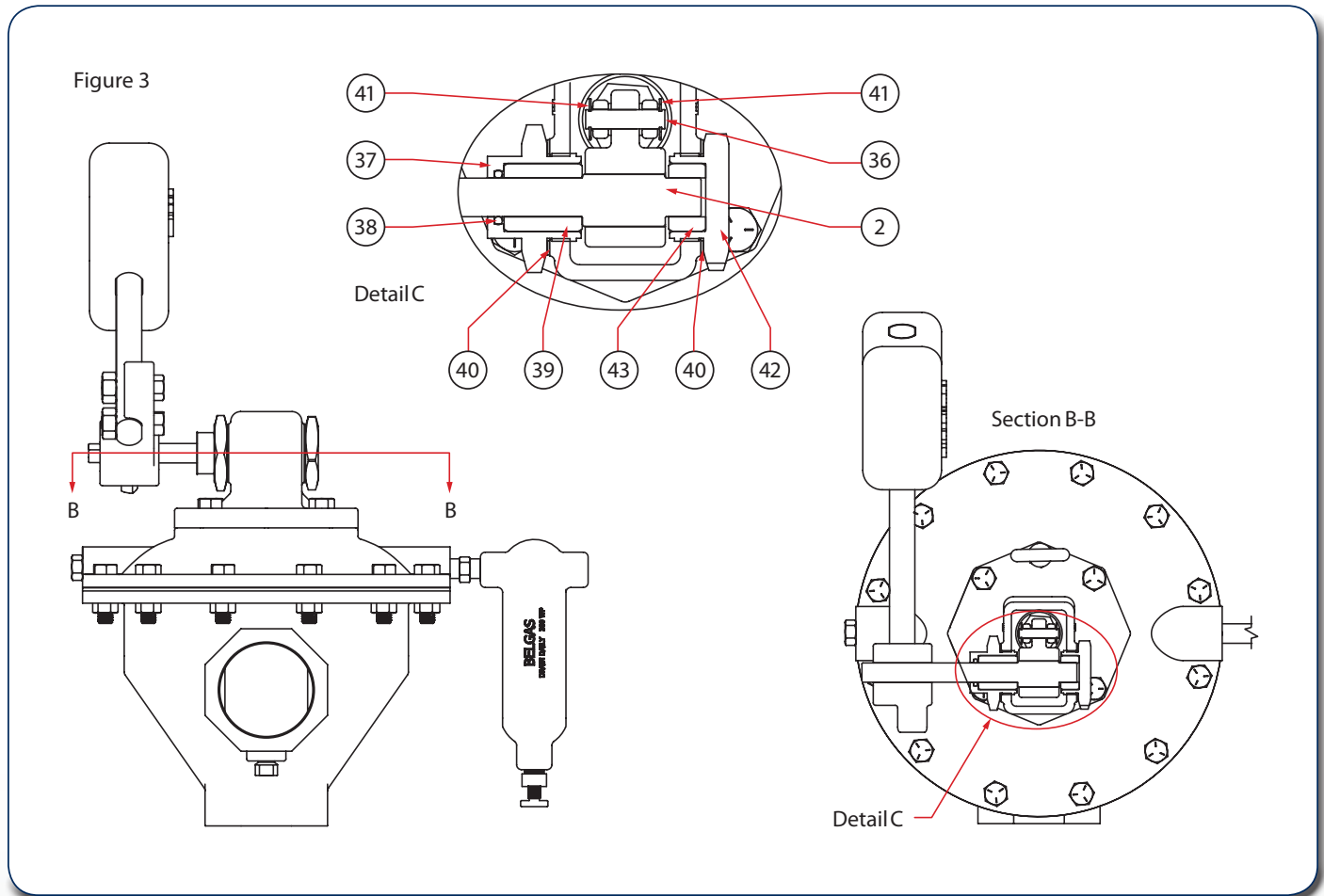
P4200 Parts List



Item	Description	Qty.	Part Number
1	Hex Nut $\frac{3}{8}$ -16 UNC-2B	14	634-216-000
2	Trunnion Rod	1	651-112-000
3	Set Screw	1	648-582-000
4	Hex Cap Screw $\frac{3}{8}$ -16 UNC X 1.375	2	648-580-001
5	Nipple	1	622-056-000
6	Drip Pot	1	677-057-000
7	Retaining Ring	1	693-019-001
8	O-ring	1	649-267-000
9	Valve Seat	1	650-220-000
10	Valve Screw	1	648-434-001
11	Lever Hub	1	712-006-000
12	Bonnet	1	604-279-000
13	Hex Cap Screw $\frac{3}{8}$ -16 UNC X 1.25	16	648-463-002
14	Housing	1	629-269-000
15	Body	1	664-594-000
16	$\frac{1}{4}$ " NPT Plug	2	639-099-000
17	Lever	1	703-014-000
18	Hex Cap Screw $\frac{3}{8}$ -16 UNC X 1	2	648-560-001
19	Weight	1	714-000-000
20	Stem Hub	1	712-008-000

Item	Description	Qty.	Part Number
21	stem	1	689-026-000
22	Eyebolt	1	603-013-000
23	Diaphragm Bolt	1	603-012-000
24	Retainer	1	643-229-000
25	Extra Wide Hex Nut	1	634-490-000
26	Balanced Diaphragm	1	618-119-000 618-119-001
27	Diaphragm Plate	1	638-101-000
28	Main Diaphragm	1	618-020-000 618-020-001
29	Diaphragm Disk	1	619-076-000
30	Cage	1	704-021-000 704-021-001
31	Cage Gasket	1	624-119-000
32	Stem Pin	1	635-090-000
33	Main Seat	1	650-207-000 650-207-001
34	Ratio Plug	1	637-342-000 637-342-001
35	Pivot	1	673-030-000

Top Works Assembly Parts List



Item	Description	Qty.	Part Number
2	Trunnion Rod	1	651-112-000
3	Set Screw	1	648-582-000
11	Lever Hub	1	712-006-000
12	Bonnet	1	604-279-000
13	Hex Cap Screw $\frac{3}{8}$ -16 UNC X 1.25	16	648-463-002
14	Housing	1	629-269-000
17	Lever	1	703-014-000
19	Weight	1	714-000-000
20	Stem Hub	1	712-008-000
21	Stem	1	689-026-000
22	Eyebolt	1	603-013-000
23	Diaphragm Bolt	1	603-012-000
24	Retainer	1	643-229-000
25	Extra Wide Hex Nut	1	634-490-000
26	Balanced Diaphragm	Nitrile	618-119-000
		Fluorocarbon	618-119-001
27	Diaphragm Plate	1	638-101-000
28	Main Diaphragm	Nitrile	618-020-000
		Fluorocarbon	618-020-001
29	Diaphragm Disk	1	619-076-000
32	Stem Pin	1	635-090-000
33	Main Seat	Nitrile	650-207-000
		Fluorocarbon	650-207-001
34	Ratio Plug	Steel	637-342-000
		Acetal	637-342-001

Item	Description	Qty.	Part Number
35	Pivot	1	673-030-000
36	Pin	1	635-087-000
37	Stuffing Box	1	643-228-000
38	O-ring	Fluorocarbon	649-000-338
		Nitrile	649-000-150
39	Long Bushing	1	608-090-000
40	Gasket	2	624-104-000
41	Retaining Ring	2	644-049-000
42	Bonnet Plug	1	639-147-000
43	Short Bushing	1	608-089-000

Torque Table		
Item	Description	Torque (in.-lbs.)
4	Lever Hub Screws	125
13	Bonnet & Body Screws	125
18	Weight Screws	125
23	Diaphragm Bolt	125
27	Diaphragm Plate	100
30	Cage	125
37	Stuffing Box	125
42	Bonnet Plug	125

P4200 Part Number Matrix and Repair Kits

P42	00	16	S	0	A	0			0	0
Style										
Diaphragm Balanced	00									
Body Size										
2" x 2"		16								
End Connection										
Female NPT			S							
Casing Material										
Ductile Iron				0						
Body Style										
Angled (2")					A					
Seat-Elastomer Material										
Buna-N - Buna-N									0	
Viton®-Viton®									2	
Trim Material										
Ductile Iron Cage										D
Acetal Cage										A

Repair Kits			
Description		Qty.	Part Number
Repair Kit	Nitrile	1	971-P42-000
	Fluorocarbon		971-P42-001
Stuffing Box Subassembly	Nitrile		808-042-000
	Fluorocarbon		808-042-001
Bonnet Plug Subassembly			819-017-000
Drain Valve Subassembly			810-059-000

Minor Repair Kit Options			
Item	Description	Qty.	Part Number
7	Drain Valve Retaining Ring	1	693-019-001
8	Drain Valve O-ring	1	649-267-000
26	Balanced Diaphragm	1	Nitrile
			Fluorocarbon
28	Main Diaphragm	1	Nitrile
			Fluorocarbon
31	Cage Gasket	1	624-119-000
33	Main Seat	1	Nitrile
			Fluorocarbon
40	Gasket	2	624-104-000
41	Retaining Ring	2	644-049-000

Contact your BelGAS^{CP} representative or go to www.BelGASCP.com to learn more about our products.



**Trusted.
Proven.
Better.**

8019 Ohio River Blvd.
Newell, WV 26050
Toll Free: 800-727-5646
sales@belgas.net
www.BelGASCP.com

2221 SE 69th Street
Oklahoma City, OK 73149
Toll Free: 800-833-3127