



## KMK INJECTION RATE GAUGE MANIFOLD ASSEMBLY KIT

(U.S. PATENT 9, 546, 897 B1)

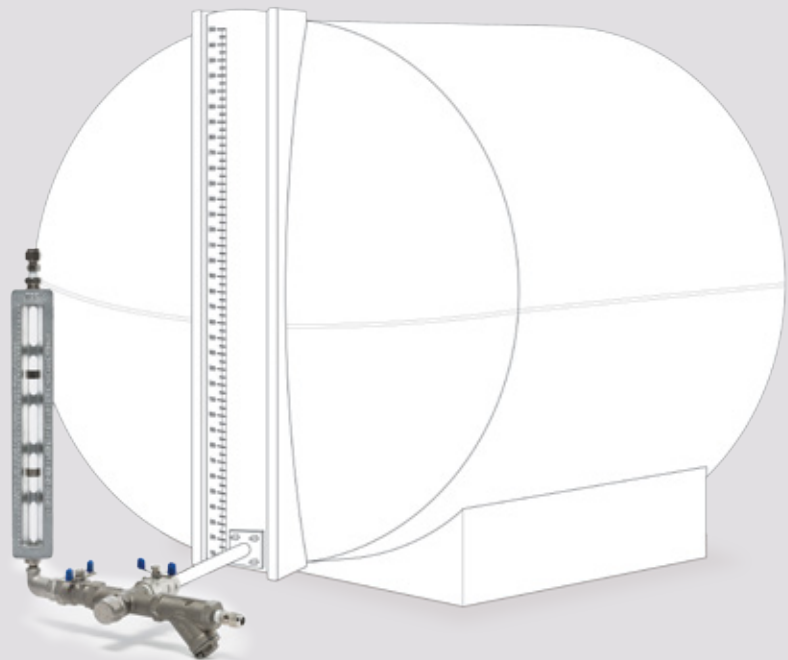


### OVERVIEW

The Kenco Manifold Kit simplifies the installation of a metering pump and a Kenco calibration gauge to a chemical storage tank. The manifold integral ball valve and strainer minimizes assembly, leak paths and installation time. The butterfly handles on the ball valves allow the manifold size to be very compact. The "T" shaped manifold configuration allows the manifold outlet connection to be located on the left-hand side or right-hand side of the chemical storage tank. The manifold has 316 stainless steel and PTFE wetted materials which allows it to be used with most any chemical. It is available with a variety of gauge connection sizes which allows it to be used with a number of Kenco calibration gauges like the 929-1-S, 5700, K596, etc. Kenco calibration gauges provide a visual means for level indication in the chemical storage tank and are calibrated to accommodate and set a wide range of metering pump injection rates. Refer to the Kenco website for gauge options and specifications.

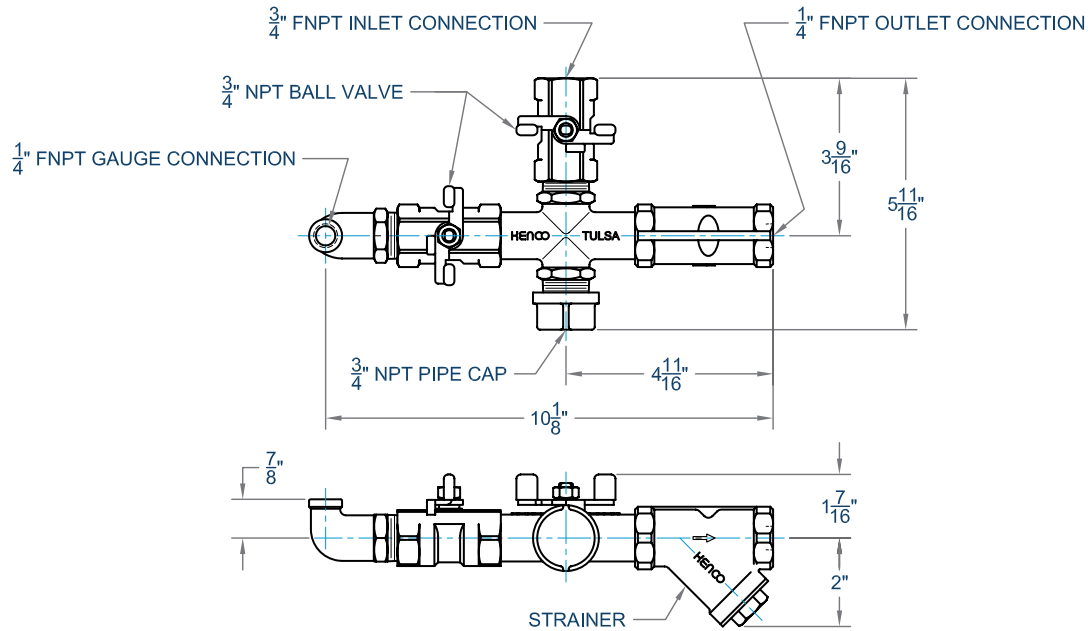
### KMK FEATURES

- Wetted materials that allow use with most any chemical.
- Reduces installation time.
- Eliminated potential leak paths.
- Compact design.
- Flexible mounting options.
- Integral strainer to help protect pump.



## MODEL KMK-25-N MANIFOLD KIT

- Drawing represents an assembled manifold kit with 1/4" FNPT outlet connection on right-hand side.
- Manifold with 1/4" FNPT outlet connection on left-hand side can be made by assembling 3/4" NPT ball valve and pipe cap on opposite sides.
- Dimensions are for reference purposes only and are subject to change at any time without notice.
- Visit the Kenco website at "www.kenco-eng.com" for drawings of other standard models available.



## ORDERING SYSTEM

KMK

### ORDER CODE CODE DESCRIPTION

#### Model:

KMK Kenco Manifold Kit

#### Gauge Connection Port Size:

25 1/4" FNPT Gauge Connection Port  
 50 1/2" FNPT Gauge Connection Port (Not Available With "929" Gauge Option)  
 75 3/4" FNPT Gauge Connection Port (Not Available With "929" Gauge Option)

#### Compression Fitting(s):

F Manifold Supplied With 3/8" O.D. Tube X 1/4" MNPT Compression Fitting(s)  
 N Manifold Supplied With No Compression Fitting(s)

#### \*Pump Setting Gauge Style:

Blank Leave Blank For Manifold Without Pump Setting Gauge  
 929 929-1-S Pump Setting Gauge Supplied (Only Available With 1/4" FNPT Gauge Connection Port Size Option)

**\*Note:** If Pump Setting Gauge Other Than 929-1-S Is Desired, It Must Be Ordered As Separate Line Item.

#### Number Of Compression Fittings Supplied With Each Kit:

• KMK-25-F (One)	• KMK-25-N (None)
• KMK-25-F-929 (Two)	• KMK-25-N-929 (None)
• KMK-50-F (One)	• KMK-50-N (None)
• KMK-75-F (One)	• KMK-75-N (None)

**Example Order Designation:** A Kenco Manifold Kit With 1/4" FNPT Gauge Connection Port, (2) 3/8" O.D. Tube X 1/4" MNPT Compression Fittings And (1) 929-1-S Pump Setting Gauge Should Be Ordered As "KMK-25-F-929".

Represented by:

Kenco Sales Offices:

**Headquarters**  
 10001 E. 54th St.  
 Tulsa, OK 74146  
 phone 918.663.4406  
 fax 918.663.4480  
 www.kenco-eng.com  
 email: info@kenco-eng.com

**Baton Rouge Office**

11616 Industriplex, Suite 7  
 Baton Rouge, LA 70809  
 phone 225.755.1912  
 fax 225.755.1913  
 www.kenco-eng.com  
 email: kenco-la@kenco-eng.com

71572 2-7-18

