

The BelGAS^{CP} P8900 Single Switch Indicator measures the liquid head pressure in atmospheric (vented) vessels. The liquid level of the vessel is displayed on the P8900 in feet and inches. The P8900 Single Switch Indicator can be calibrated with high and low set points. These set point adjustments complete a circuit to trigger any connected device.

Applications

- Continuously indicates the liquid level in an atmospheric vessel in feet and inches.
- Adjustable switch which completes an electrical circuit to a solenoid, alarm, or other device when the level rises to the top predetermined point, and breaks the circuit when the level falls to the bottom predetermined point (or the reverse).
- Available calibrated for horizontal cylindrical vessels in pounds, gallons, barrels, percent, etc.

Features

- Easy Calibration: Indicator can be calibrated using 2 knobs in the interior of the housing. Calibration can be achieved without any change to the liquid level in the vessel.
- Sizes: Weldnecks offered in 5" & 8" Lengths
- Direct Reading: Indicator scale reads the liquid level directly in feet and inches. No need to convert liquid level to head pressure.
- Minimal Maintenance: Bearings have Teflon dry film lubrication (no need to oil bearings).
- Various options available for inlet adapter connections, diaphragms, and scales.
- Sealed Housing: All mechanical parts are sealed in the interior of the housing, eliminating any contact with the process fluid.



Materials of Construction

Part	Material
Housing	Cast Aluminum
Connection Type	Iron
	Steel
	Stainless Steel
	PVC
Diaphragm	Buna-N
	Fluorocarbon
	Compound W
	Teflon
Seal	Buna-N
	Fluorocarbon
	Compound W

Specifications

Operating Temperature	-20° to 225° F
Maximum Head Pressure	90 PSI
Vessel Height Range	6 to 30 Feet
Switches	SPDT Micro Switch
	5 Amp @ 125, 250, or 480 VAC
	1/2 Amp @ 125 VDC, 1/4 Amp @ 250 VDC

P8900 Series Ordering Matrix

P890	S	16										
	↑	↑↑	↑↑	↑	↑	↑↑	↑	↑↑			Style	
	S										Single Switch	
											Connection Size	
		16									2"	
											Connection Type	
			DG								Grooved, Iron	
			DO								NPT, Iron	
			1A								150RF Flange, Steel	
			5A								150RF Flange, 316 SS	
			5O								NPT, 316 SS	
			PA								150RF, PVC	
			PO								NPT, PVC	
											Coated Connection	
				0							EPOXY	Option 0 and 1 are for Ductile Iron and Steel Material Only
				1							ZPEX	
					2						None	Option 2 is for Stainless Steel and PVC Materials
											Diaphragm Material	
					0						Buna-N	
					2						Fluorocarbon	
					5						Compound W	
					6						Teflon	
											Scale Option	
					06						0 to 6 Feet	
					08						0 to 8 Feet	
					10						0 to 10 Feet	
					16						0 to 16 Feet	
					20						0 to 20 Feet	
					24						0 to 24 Feet	
					30						0 to 30 Feet	
					99						Special Scale	
											Additional Option	
					0						None	
					1						Snubber Body	ONLY available with Buna-N, Fluorocarbon, or Compound W diaphragm material
											Custom Option	
					FC						Factory calibration for the unit with standard scale	The two digit custom option will be added when customer orders a special scale and/or needs the unit to be factory calibrated. Standard part number will have 16 digits.

P8900 Diaphragm Repair Kits

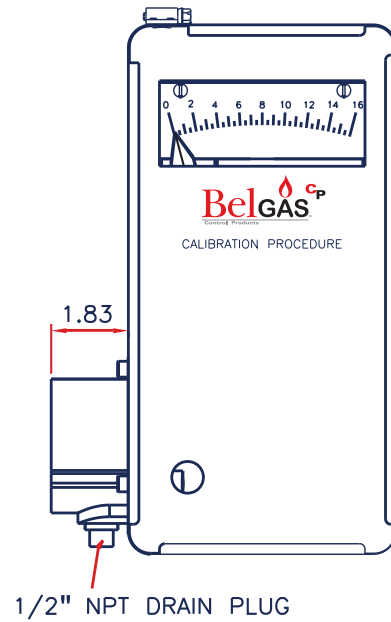
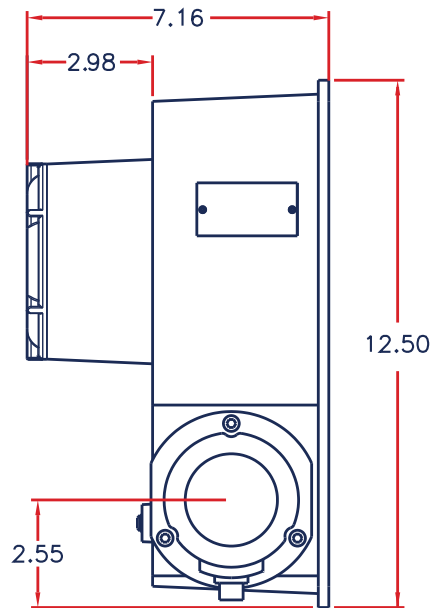
97189000		Repair Kit
	↑	Diaphragm Material
	0	Buna-N
	2	Fluorocarbon
	5	Compound W
	6	Teflon

P8900 Snubber Repair Kits

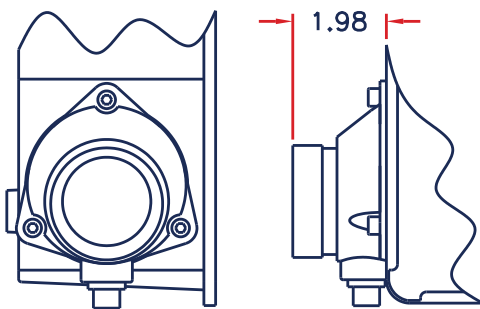
97189001		Repair Kit
	↑	Diaphragm Material
	0	Buna-N
	2	Fluorocarbon
	5	Compound W

P8900 Dimensions

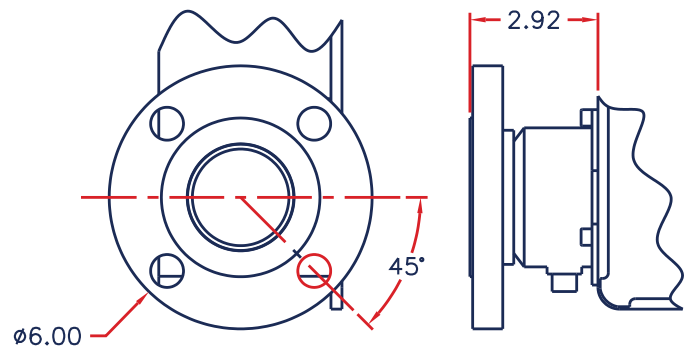
P8900 Threaded Inlet Connection



P8900 Grooved Inlet Connection



P8900 2-150 Inlet Connection



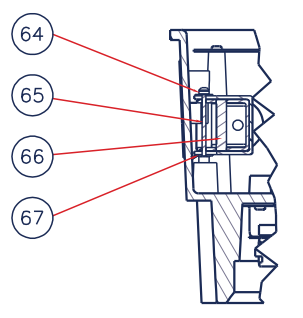
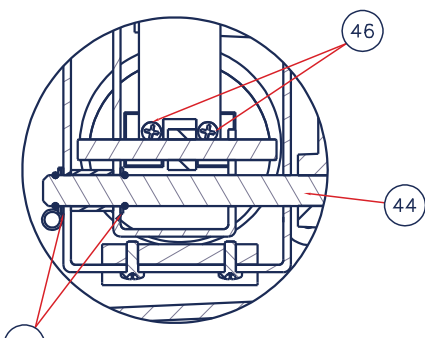
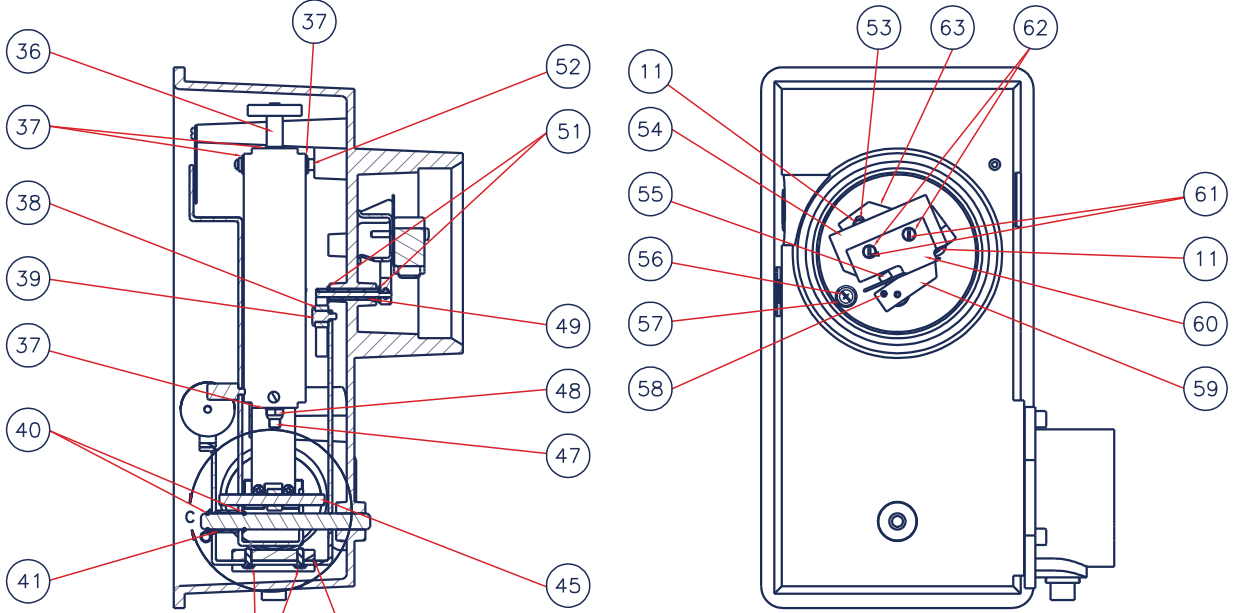
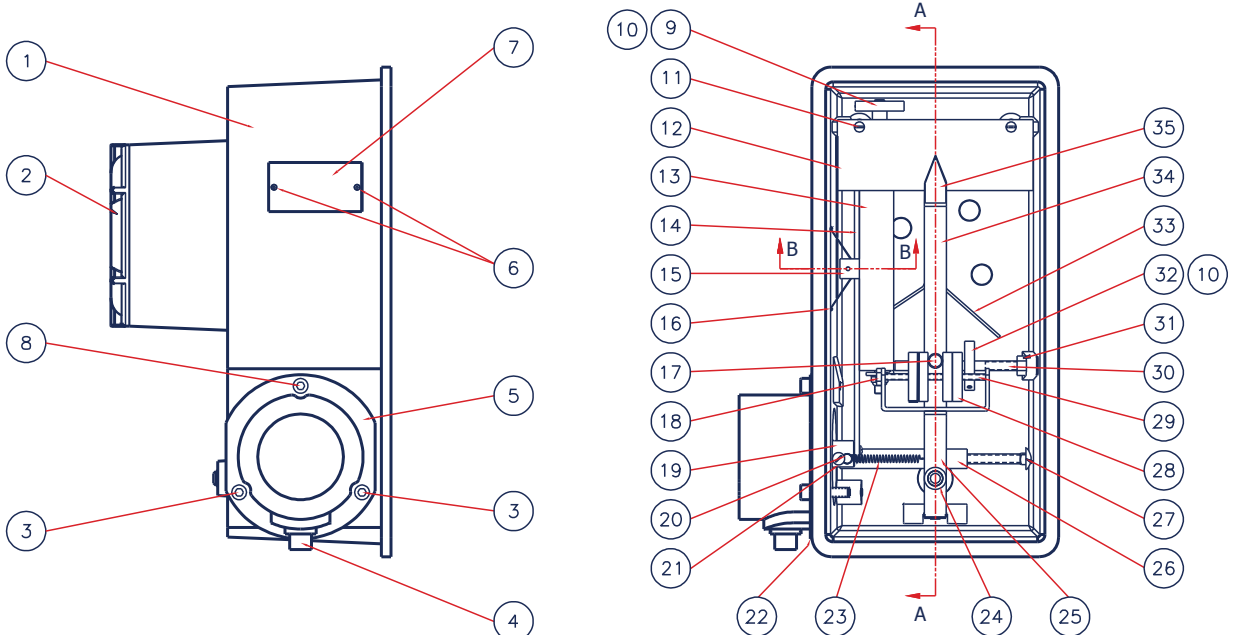
P8900 Parts List

Item	Description	Qty.	Part Number
1	Housing	1	629-284-000
2	Blank Cover	1	614-076-000
3	Cap Screw	Without Snubber	648-000-294
		With Snubber	648-466-013
4	Pipe Plug	Carbon Steel	639-176-000
		Stainless Steel	639-176-002
		PVC	639-176-003
5	Inlet Adapter Connection	ZPEX Coated Grooved Iron	679-048-001
		Epoxy Coated Grooved Iron	679-048-000
		ZPEX Coated NPT Iron	679-050-001
		Epoxy Coated NPT Iron	679-050-000
		ZPEX Coated 150RF Steel	679-059-001
		Epoxy Coated 150RF Steel	679-059-000
		150RF 316 SS	679-060-000
		NPT 316 SS	679-052-000
		150RF PVC	679-057-001
NPT PVC	679-054-000		
6	Drive Screw	2	648-464-000
7	Nameplate	1	632-645-000
8	Cap Screw	Without Snubber	648-466-004
		With Snubber	648-567-004
9	Range Knob	1	630-038-000
10	Spring Pin	2	635-104-000
11	Slotted Screw	4	648-615-000
12	Scale	0 to 6 Feet	631-261-000
		0 to 8 Feet	631-255-000
		0 to 10 Feet	631-256-000
		0 to 16 Feet	631-257-000
		0 to 20 Feet	631-258-000
		0 to 24 Feet	631-259-000
		0 to 30 Feet	631-260-000
13	Fulcrum Retainer	1	643-234-000
14	Spring Assy	Up to 6' Scale	832-005-000
		8' to 30' Scale	832-003-000
15	Fulcrum Guide	Up to 20' Scale	626-133-000
		20' to 30' Scale	626-134-000
		Above 30' Scale	626-135-000
16	Fulcrum Spring	1	655-819-000
17	Actuator Trigger	1	654-212-000
18	Hex Nut	1	634-146-005
19	Diaphragm Piston	1	637-343-000
20	Piston Bearing	1	602-143-000
21	Slotted Screw	1	648-429-013
22	Diaphragm	Buna-N	618-126-000
		Fluorocarbon	618-126-001
		Compound W	618-126-002
		Teflon	618-127-000
23	Extension Spring	1	655-820-000
24	Washer	3	662-438-000
25	Trigger Bracket	1	607-321-000

Item	Description	Qty.	Part Number	
26	Thrust Arm	1	670-073-000	
27	Carriage Bolt	1	648-613-000	
28	Knob Dial	4	630-040-000	
29	Dial Screw	1	648-612-000	
30	Zero Adjust Screw	1	648-611-000	
31	Zero Adjust Nut	1	634-180-000	
32	Zero Knob	1	630-037-000	
33	Switch Cam	1	691-026-000	
34	Pointer	1	711-009-000	
35	Decal	1	631-248-000	
36	Range Spacer	1	654-211-000	
37	Plastic Washer	4	662-438-001	
38	Actuator Cam Bushing	1	608-116-000	
39	Actuator Cam Bearing	1	602-139-000	
40	O-Ring	2	649-000-004	
41	Pointer Spacer	1	654-210-000	
42	Screw	2	648-000-053	
43	Weight	1	714-001-000	
44	Main Bearing	1	602-140-000	
45	Pointer Bearing	1	602-144-000	
46	Screw	2	648-614-000	
47	Threaded Rod	1	646-558-000	
48	Nyloc Nut	1	634-478-003	
49	Cam Shaft Bushing	1	608-114-000	
50	Cam Shaft	1	651-123-000	
51	Teflon Washer	2	662-441-000	
52	Spring Bearing	1	602-142-000	
53	Flat Washer	1	662-320-000	
54	Insulator Pad	1	682-010-000	
55	Socket Screw	1	648-630-000	
56	Ground Screw	1	648-594-000	
57	Cup Washer	1	662-440-000	
58	Spring Pin	1	635-108-000	
59	Cam Block	1	691-025-000	
60	Microswitch	1	659-007-001	
61	Pan Head Screw	2	648-633-000	
62	Lock Washer	2	662-183-000	
63	U Bracket	1	607-322-000	
64	O-Ring	1	649-000-206	
65	Spring Pin	1	635-104-001	
66	Dowel Pin	1	635-105-000	
67	Retaining Ring	1	693-019-002	
68	Frame Assy	1	812-042-000	
69	Silkscreen Window	1	723-001-000	
70	Foam Seal	3 ft	649-406-000	
71	O-Ring	1*	649-381-005	
72	Snubber Assy	Buna-N	805-100-000	
		Fluorocarbon	805-100-001	
		Compound W	805-100-002	
73	Main Spring	Above 24' Scale	1*	655-821-001

* Optional based on configuration

P8900 Parts Drawing



SECTION A-A

DETAIL C
SCALE 2:1

SECTION B-B



BelGAS™, and the BelGAS "CP" are trademarks of the Marsh Bellofram Company - 2019. Photographs, illustrations and specifications are current product information at the time of publication. The right is reserved to make changes to specifications at any time. Visit www.BelGAS.net for the latest revisions.

LTXXXXXX

belgas.net