

The BelGAS^{CP} P8900 Visual Indicator measures the liquid head pressure in atmospheric (vented) vessels. The P8900 Visual Indicator constantly indicates the liquid level in the vessel. The liquid level of the vessel is displayed on the P8900 in feet and inches.

Applications

- Continuously indicates the liquid level in an atmospheric (vented) tank in feet and inches.
- Available calibrated for horizontal cylindrical vessels in pounds, gallons, barrels, percent, etc.

Features

- **Easy Calibration:** Indicator can be calibrated using 2 knobs in the interior of the housing. Calibration can be achieved without any change to the liquid level in the vessel.
- **Direct Reading:** Indicator scale reads the liquid level directly in feet and inches. No need to convert liquid level to head pressure.
- **Minimal Maintenance:** Bearings have Teflon dry film lubrication (no need to oil bearings).
- **Various options available for inlet adapter connections, diaphragms, and scales.**
- **Sealed Housing:** All mechanical parts are sealed in the interior of the housing, eliminating any contact with the process fluid.



Materials of Construction

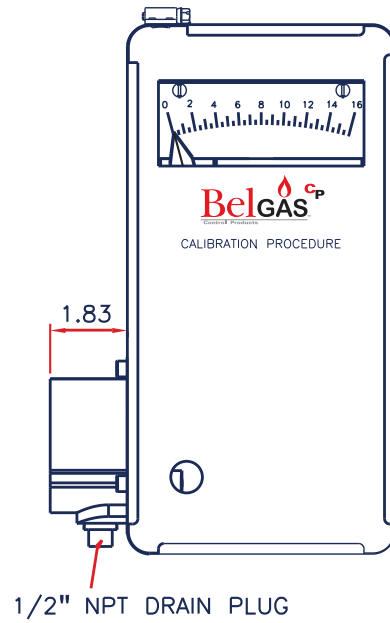
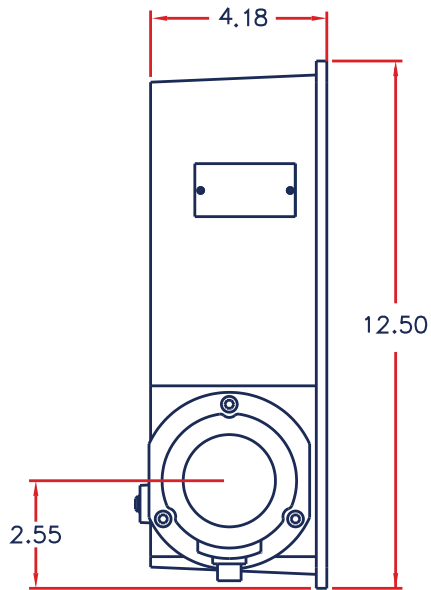
Part	Material
Housing	Cast Aluminum
Connection Type	Iron
	Steel
	Stainless Steel
	PVC
Diaphragm	Buna-N
	Fluorocarbon
	Compound W
	Teflon
Seal	Buna-N
	Fluorocarbon
	Compound W

Specifications

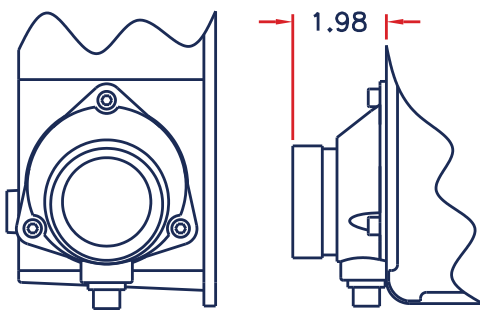
Operating Temperature	-20° to 225° F
Maximum Head Pressure	90 PSI
Vessel Height Range	6 to 30 Feet
Housing	Weather-Proof

P8900 Dimensions

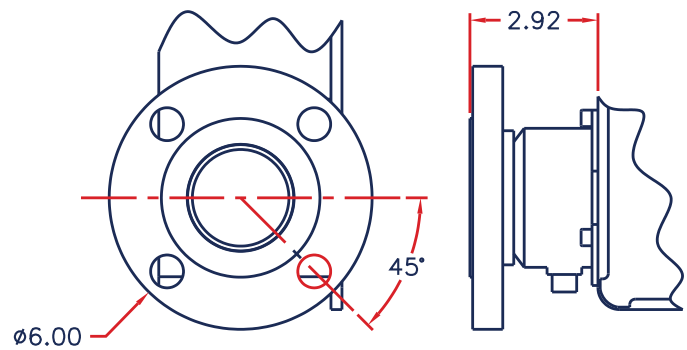
P8900 Threaded Inlet Connection



P8900 Grooved Inlet Connection



P8900 2-150 Inlet Connection



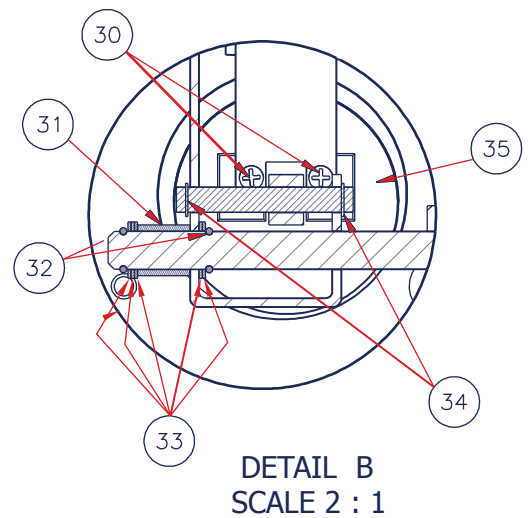
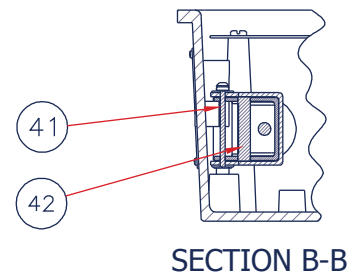
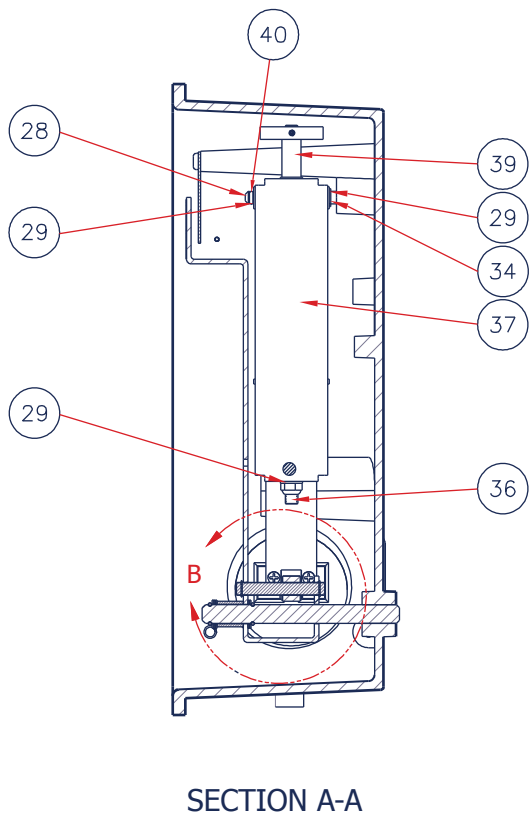
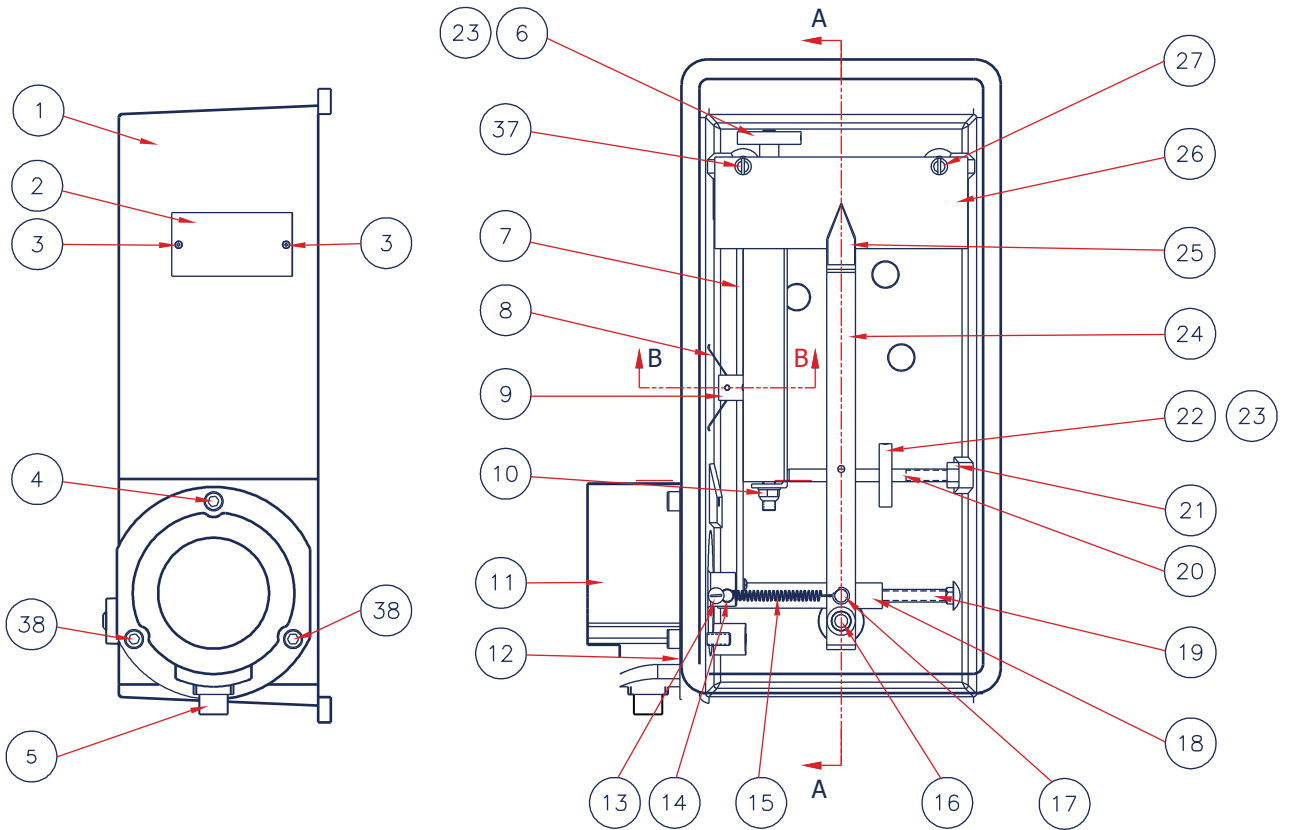
P8900 Parts List

Item	Description	Qty.	Part Number	
1	Housing	1	629-286-000	
2	Nameplate	1	632-644-000	
3	Drive Screw	2	648-464-000	
4	Cap Screw	1	Without Snubber	648-466-004
			With Snubber	648-567-004
5	Pipe Plug	1	Carbon Steel	639-176-000
			Stainless Steel	639-176-002
			PVC	639-176-003
6	Range Knob	1	630-038-000	
7	Spring Assy	1	Up to 6' Scale	832-005-000
			8' to 30' Scale	832-003-000
8	Fulcrum Spring	1	655-819-000	
9	Fulcrum Guide	1	Up to 20' Scale	626-133-000
			20' to 30' Scale	626-134-000
			Above 30' Scale	626-135-000
10	Nyloc Nut	1	634-478-003	
11	Inlet Adapter Connection	1	ZPEX Coated Grooved Iron	679-048-001
			Epoxy Coated Grooved Iron	679-048-000
			ZPEX Coated NPT Iron	679-050-001
			Epoxy Coated NPT Iron	679-050-000
			ZPEX Coated 150RF Steel	679-059-001
			Epoxy Coated 150RF Steel	679-059-000
			150RF 316 SS	679-060-000
			NPT 316 SS	679-052-000
			150RF PVC	679-057-001
			NPT PVC	679-054-000
12	Diaphragm	1	Buna-N	618-126-000
			Fluorocarbon	618-126-001
			Compound W	618-126-002
			Teflon	618-127-000
13	Screw	1	648-429-013	
14	Piston Bearing	1	602-143-000	
15	Extension Spring	1	655-820-000	
16	Main Bearing	1	602-140-000	
17	Pointer Pin	1	635-099-000	
18	Thrust Arm	1	670-073-000	
19	Carriage Bolt	1	648-613-000	
20	Zero Screw	1	648-611-000	
21	Hex Nut	1	634-180-000	

Item	Description	Qty.	Part Number	
22	Zero Knob	1	630-037-000	
23	Spring Pin	2	635-104-000	
24	Pointer	1	711-009-000	
25	Decal	1	631-248-000	
26	Scale	1	0 to 6 Feet	631-261-000
			0 to 8 Feet	631-255-000
			0 to 10 Feet	631-256-000
			0 to 16 Feet	631-257-000
			0 to 20 Feet	631-258-000
			0 to 24 Feet	631-259-000
			0 to 30 Feet	631-260-000
27	Slotted Screw	2	648-615-000	
28	Spring Bearing	1	602-142-000	
29	Plastic Washer	4	662-438-001	
30	Screw	2	648-614-000	
31	Pointer Spacer	1	654-210-000	
32	O-Ring	2	649-000-004	
33	Washer	3	662-438-000	
34	Retaining Ring	1	693-019-002	
35	Diaphragm Piston	1	637-343-000	
36	Threaded Rod	1	646-558-000	
37	Fulcrum Retainer	1	643-234-000	
38	Cap Screw	2	Without Snubber	648-000-294
			With Snubber	648-466-013
39	Range Spacer	1	654-211-000	
40	O-Ring	1	649-000-206	
41	Spring Pin	1	635-104-001	
42	Dowel Pin	1	635-105-000	
43	Snubber Assy.	1*	Buna-N	805-100-000
			Fluorocarbon	805-100-001
			Compound W	805-100-002
44	Frame Assy	1	812-042-000	
45	Window	1	723-001-000	
46	Foam Seal	1	649-406-000	
47	Main Spring	1*	Above 24' Scale 655-821-000	

* Optional based on configuration

P8900 Parts Drawing





BelGAS™, and the BelGAS "CP" are trademarks of the Marsh Bellofram Company - 2019. Photographs, illustrations and specifications are current product information at the time of publication. The right is reserved to make changes to specifications at any time. Visit www.BelGAS.net for the latest revisions.

LTXXXXXX

belgas.net