

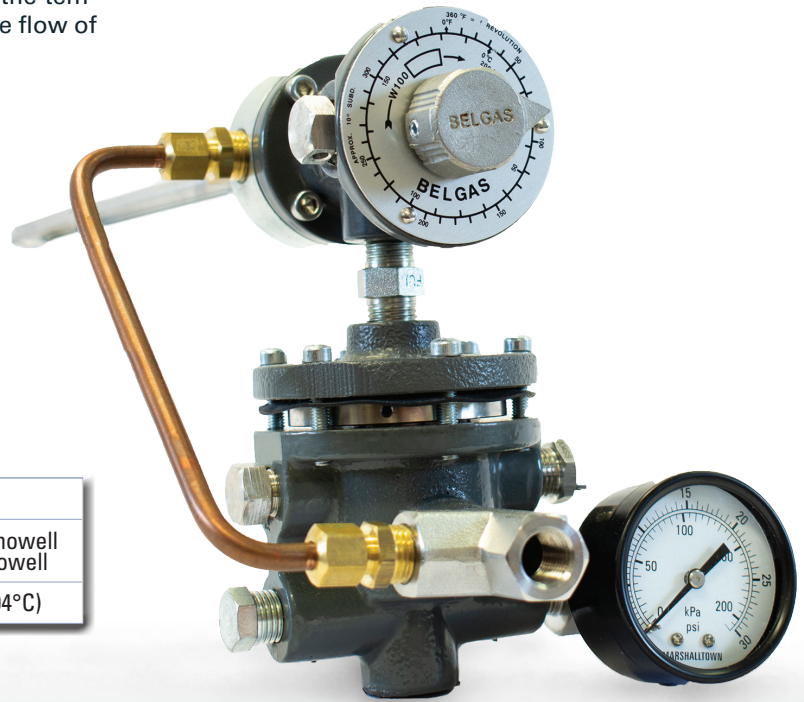
The W100M is an indirect high temperature shutdown device that is installed into a heated vessel that will act as a shut-off for the vessel. If the temperature exceeds the temperature set by the thermostat, the pilot will stop the flow of gas until manually reset.

Applications

- Heaters
- Emulsion Treaters
- Reboilers
- Steam Generators
- Heat Exchangers
- Cooler Shutter Controls
- Salt bath heaters

Specifications

Max Working Pressure	30 PSIG (max)
Max Pressure for Sensing Unit	500 PSIG without thermowell 4000 PSIG with thermowell
Sensing Probe Temperature Range	-30 to 400°F (-34 to 204°C)



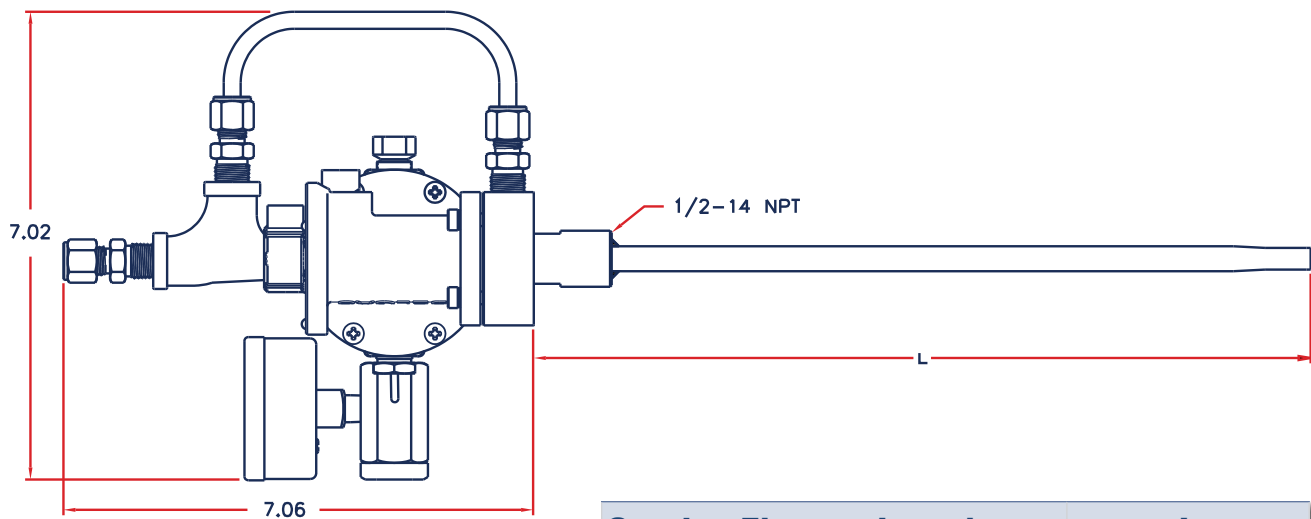
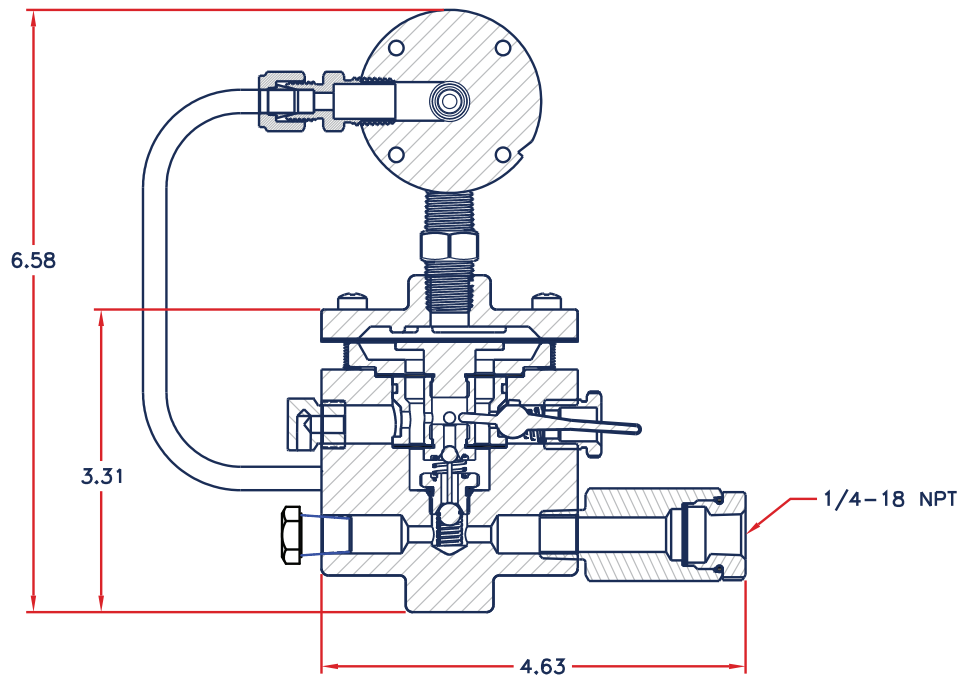
Materials of Construction

Valve Components	Standard Material
Body	Ductile Iron
Elastomers	Nitrile
Bonnet	Ductile Iron
Sensing Element	304 Stainless Steel
Thermowell	304 Stainless Steel

W100M Part Matrix

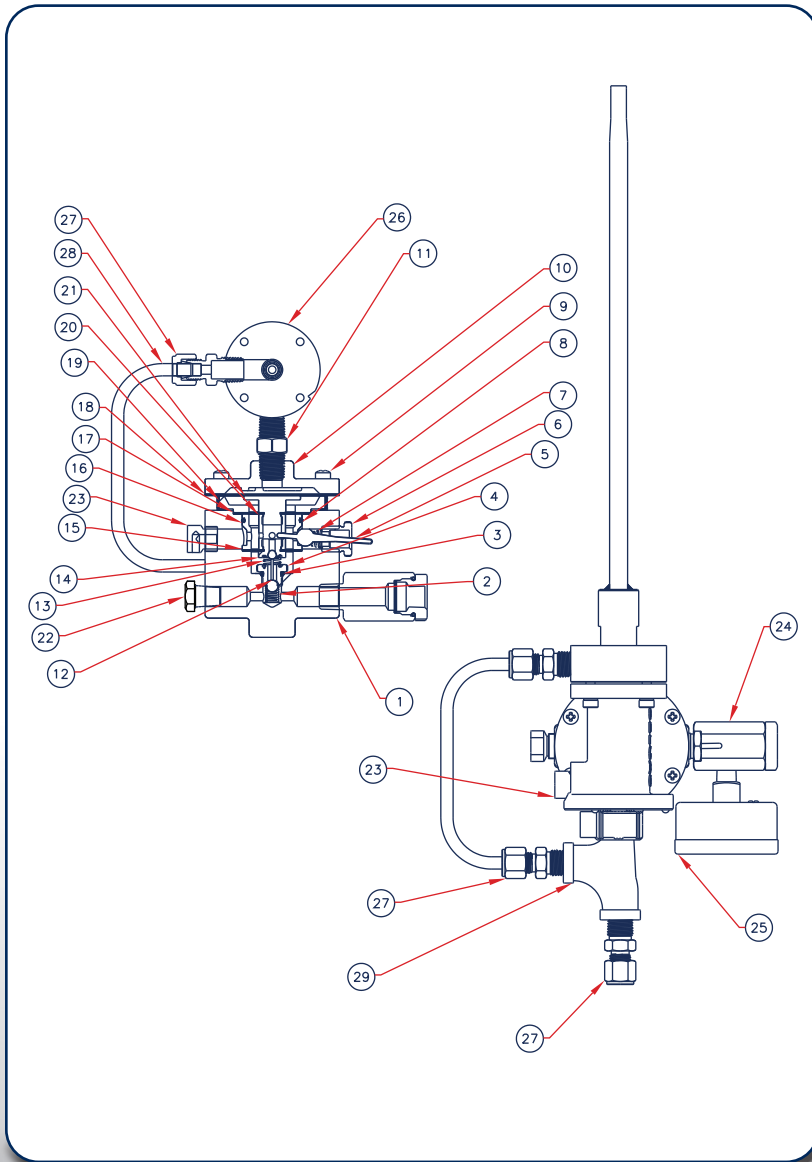
W100M	0	1	12	HT	0		
	↑	↑↑	↑	↑↑	↑↑	↑	Elastomer Material
	0						Nitrile
							Connection Style and Size
	04						1/2" NPT (No Thermowell)
	06						3/4" NPT (With 304 Thermowell)
	08						1" NPT (With 304 Thermowell)
	10						3/4" NPT (With CS Thermowell)
	12						1" NPT (With CS Thermowell)
							Sensing Element Length
		12					12"
							Operating mode
				HT			Indirect high temperature shutdown

W100M Dimensions



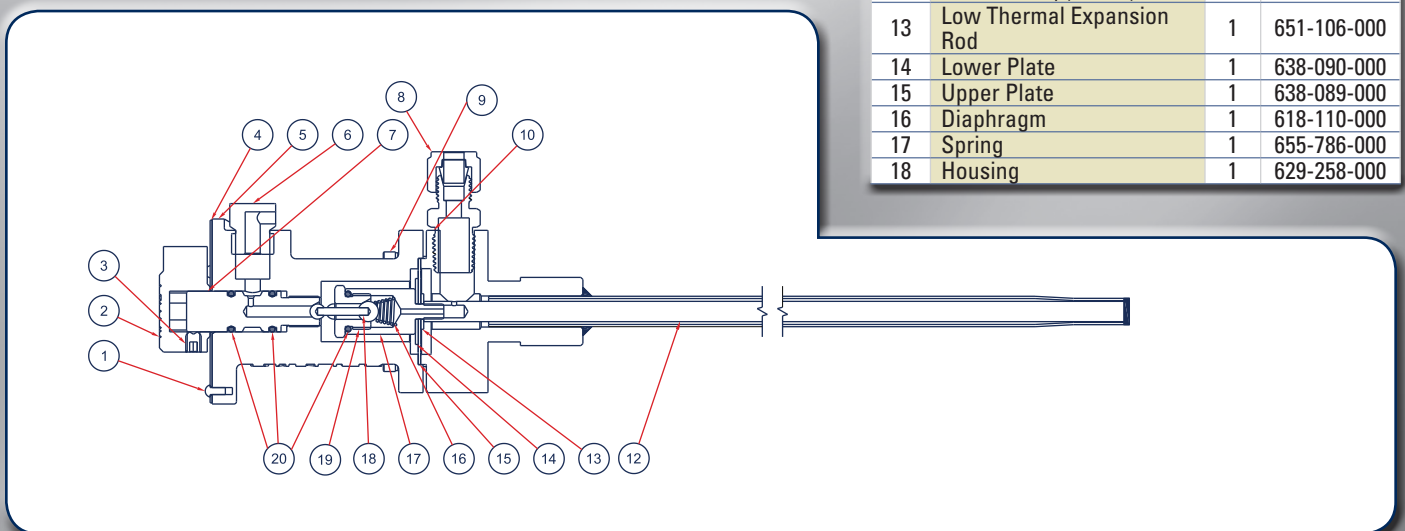
Sensing Element Length	L
12"	11.67"

W100M Manual Reset Part List

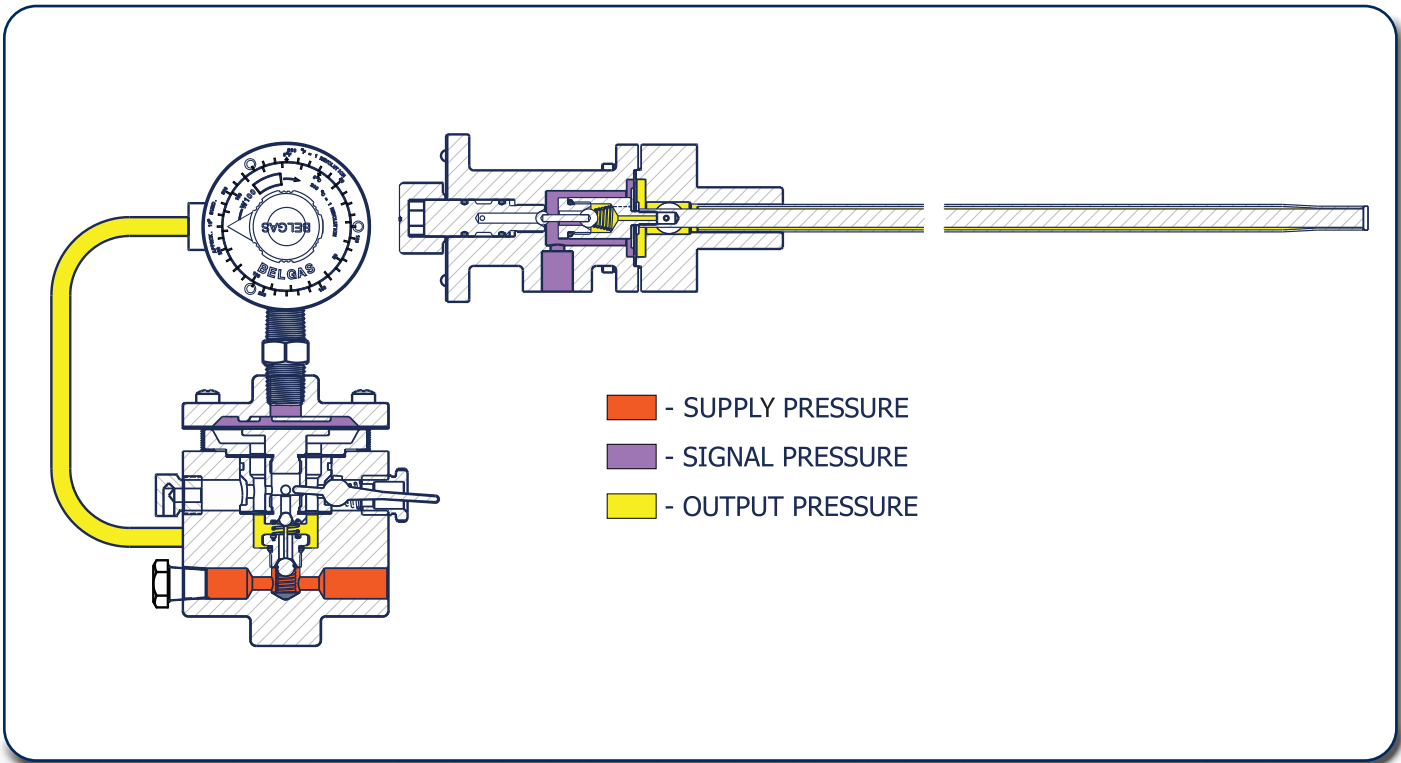


	Description	Qty.	Part Number
1	Body	1	664-639-000
2	Pilot Plug Spring	1	655-000-636
3	Seal O-Ring	1	649-000-005
4	W100M Seat	1	650-233-000
5	Manual Reset Lever	1	703-020-001
6	Lever Retaining Bushing	1	608-121-000
7	W100 Spring	1	655-786-000
8	O-Ring 2-024	1	649-000-012
9	Screw	6	648-436-001
10	W100M Bonnet	1	604-570-000
11	Male Pipe Nipple	1	622-056-000
12	W100 Pilot Plug	1	813-053-000
13	W100M Seat Spring	1	655-000-635
14	Bleed Orifice	1	688-077-001U
15	W100M Bottom Diaphragm	1	618-130-000
16	W100M Lever Retaining Spool	1	643-238-000
17	W100M Middle Diaphragm	1	618-132-000
18	W100M Top Diaphragm	1	618-131-000
19	W100M Housing	1	629-300-000
20	W100M Spacer	1	654-220-000
21	W100M Top Diaphragm Plate	1	638-134-000
22	P289 Plug	1	639-099-000
23	P4100 Breather Plug	1	639-144-000

Item	Description	Qty.	Part Number
1	Drive Screw	3	348-464-000
2	Pointer	1	695-010-000
3	Set Screw	1	648-000-424
4	Dial	1	632-574-000
5	Bonnet	1	604-273-000
6	Breather Plug	1	639-144-000
7	Upper Seat	1	650-196-000
8	Press Fit Tubing Connectors		See W100M Table
9	Screw	4	648-000-243
10	Base	1	664-575-000
11	Sensing Element	1	660-121-000
12	Thermowell, (3/4 NPT)	1	658-059-000
	Thermowell, (1 NPT)		658-062-000
13	Low Thermal Expansion Rod	1	651-106-000
14	Lower Plate	1	638-090-000
15	Upper Plate	1	638-089-000
16	Diaphragm	1	618-110-000
17	Spring	1	655-786-000
18	Housing	1	629-258-000



W100M Operation



W100 Series Part Matrix

W100	0	0	0	P		0	1	0	12	
	↑	↑	↑	↑	↑↑	↑				Style
	0									Without Monitor
										Body Material
		0								Ductile Iron
										Base Material
			0							Carbon Steel
										Elastomer Material
				P						Nitrile
										Connection Size
						04				1/2" NPT (No Thermowell)
						06				3/4" NPT (With 304 Thermowell)
						08				1" NPT (With 304 Thermowell)
						10				3/4" NPT (With CS Thermowell)
						12				1" NPT (With CS Thermowell)
										Temperature Range
								0		-30°F to 400°F (-34°C to 204°C)
										Sensing Element Length
									12	12"



A Division of Marsh Bellofram
 8019 Ohio River Boulevard
 Newell, WV 26050
 800-727-5646
 FAX 304-387-1212
www.belgascp.com

BelGAS™, and the BelGAS "CP" are trademarks of the Marsh Bellofram Company - 2020. Photographs, illustrations and specifications are current product information at the time of publication. The right is reserved to make changes to specifications at any time. Visit www.BelgasCP.com for the latest revisions.