

The BelGAS^{CP} PL90 is a pneumatic pilot designed to be used in conjunction with a control valve. The PL90 is an indirect acting pilot designed to provide a proportional signal to a control valve in response to changes in the sense pressure

Applications

- Senses pressure upstream or downstream of a control valve and provides a proportional response to open or close the valve

Features

- **Single Adjusting Screw:** Changing the set point of the unit's performance is possible by rotating the adjusting screw.
- **Accurate and Proportional Control:** Each turn on the adjustment screw results in a known change of the signal pressure setpoint. Each change in the signal pressure results in a proportional change in the output pressure.
- **Remote Installation:** Pipe the unit as close to or as far away as needed from the control valve it is driving.
- Up to and including 285 PSIG Operating Pressure.
- NACE Construction



PL90 Series Ordering Matrix

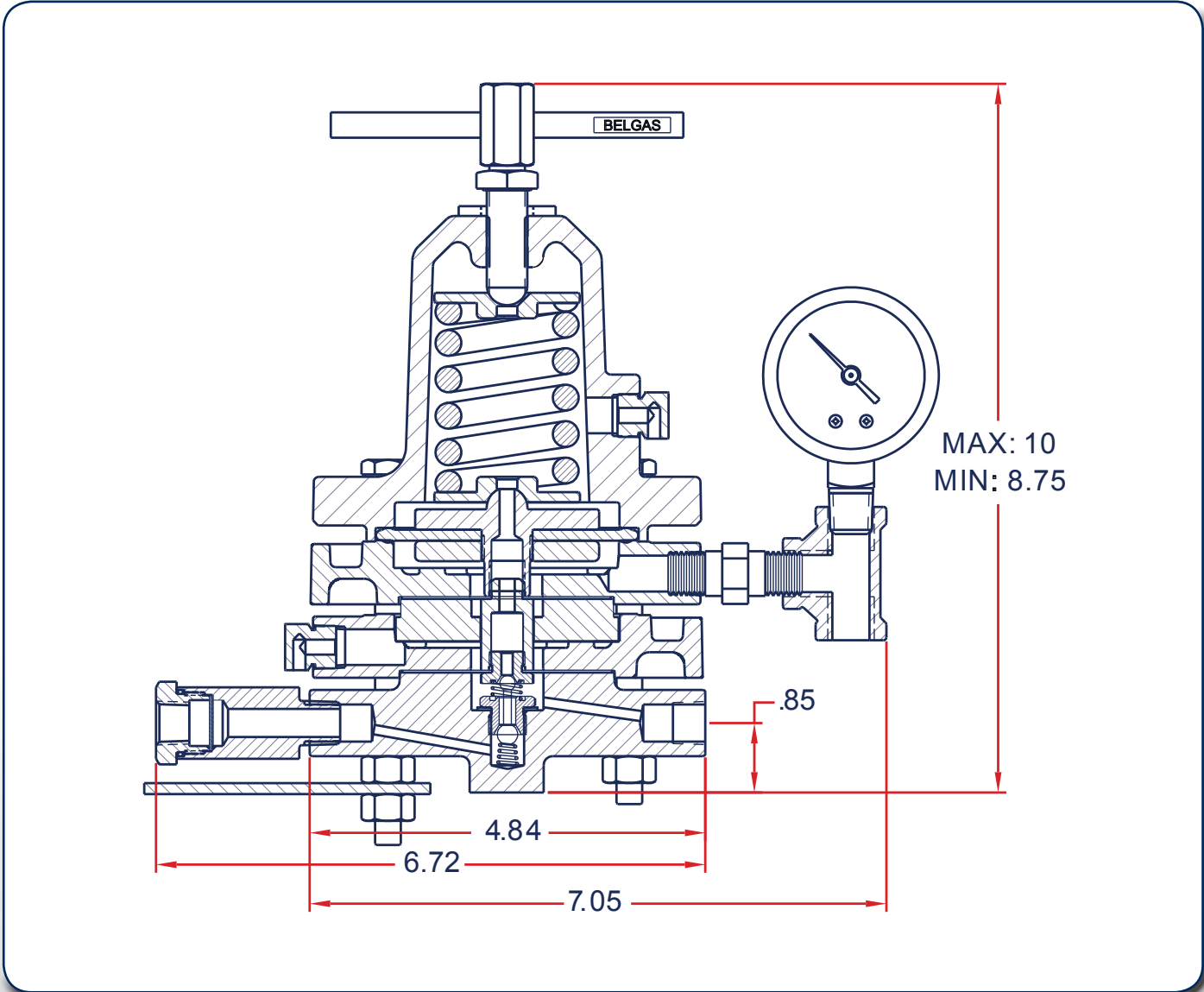
PL90	1	02	B	1	00				
	↑	↑↑	↑	↑	↑↑	↑	↑↑↑		Configuration
	1								Indirect Action
									Port Size
		02							1/4" NPT Standard
									End Connections
			B						Mounting Bracket
									Body Material
				1					Ductile Iron
					00				Place Holder
									Diaphragm Material
						0			Buna-N
						2			Fluorocarbon
									Pressure Ranges
							125		5 to 125 PSIG
							285		15 to 285 PSIG

Specifications

Design Pressure	Up to 285 PSIG
Media	Gas and Air
End Connections	1/4" NPT
Temperature	-20 to 180°F - Nitrile 0 to 300°F - Fluorocarbon

Materials of Construction

Part	Material
Bonnet	Ductile Iron
Upper Housing	Ductile Iron
Lower Housing	Ductile Iron
Base	Ductile Iron
Upper Diaphragm	Polyurethane, Fluorocarbon
Middle Diaphragm	Nitrile / Fluorocarbon
Lower Diaphragm	Nitrile / Fluorocarbon
Ductile Iron	Stainless Steel



971-L90-000 Repair Kit Parts - See Naming Matrix

Item	Part Number	Description	Qty.
9	618-115-000	Upper Diaphragm, Polyurethane	1
12, 25	618-114-000	Nitrile Diaphragm	2
16	624-115-000	Seat Gasket	1
17	813-053-000	Pilot Plug	1
18	655-786-001	Valve Spring	1
24	688-077-001U	Upper Seat	1
26	655-816-000	Pilot Spring	1
27	688-080-000	Lower Seat	1
31	647-030-000	Filter Screen	3

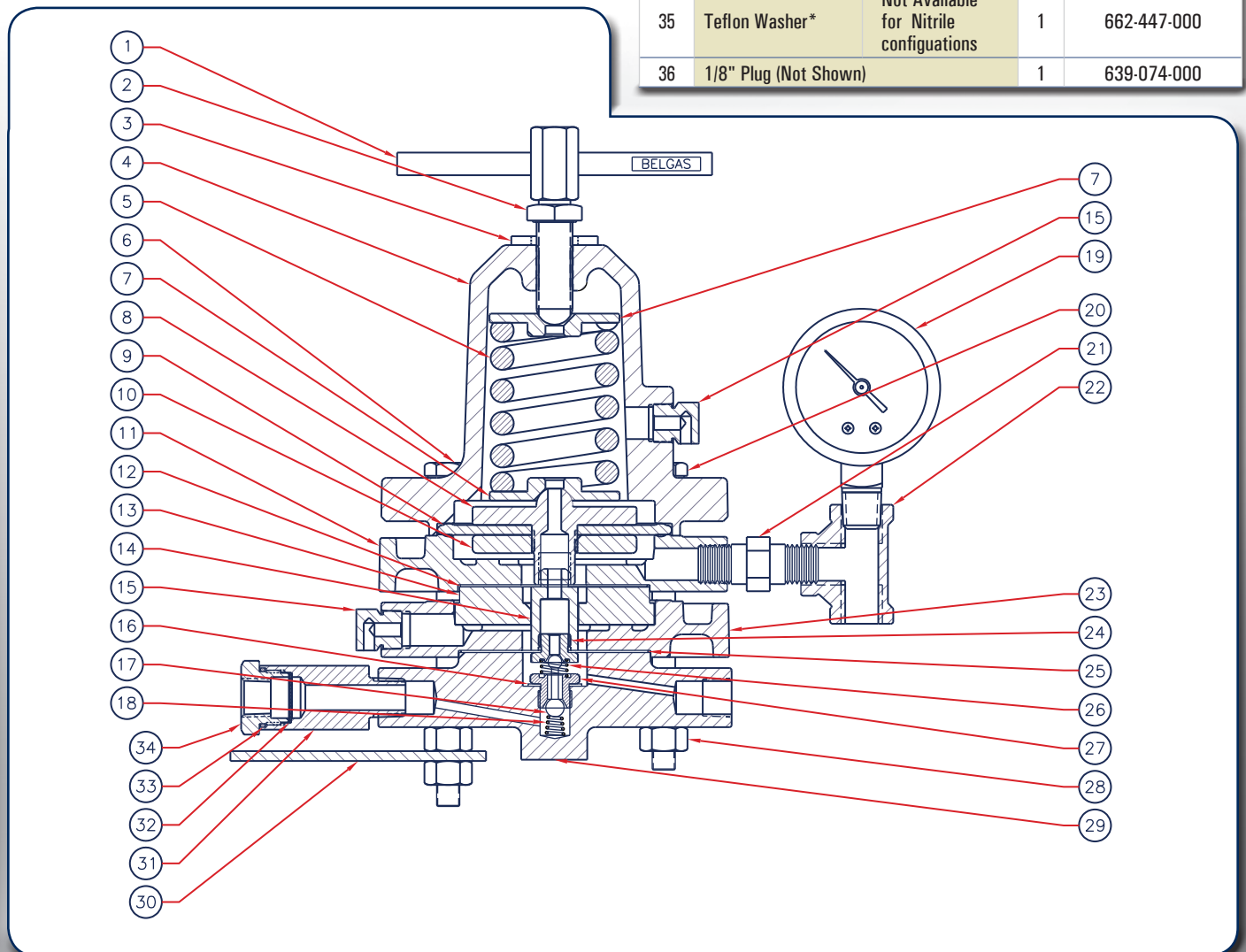
971-L90-001 Repair Kit Parts - See Naming Matrix

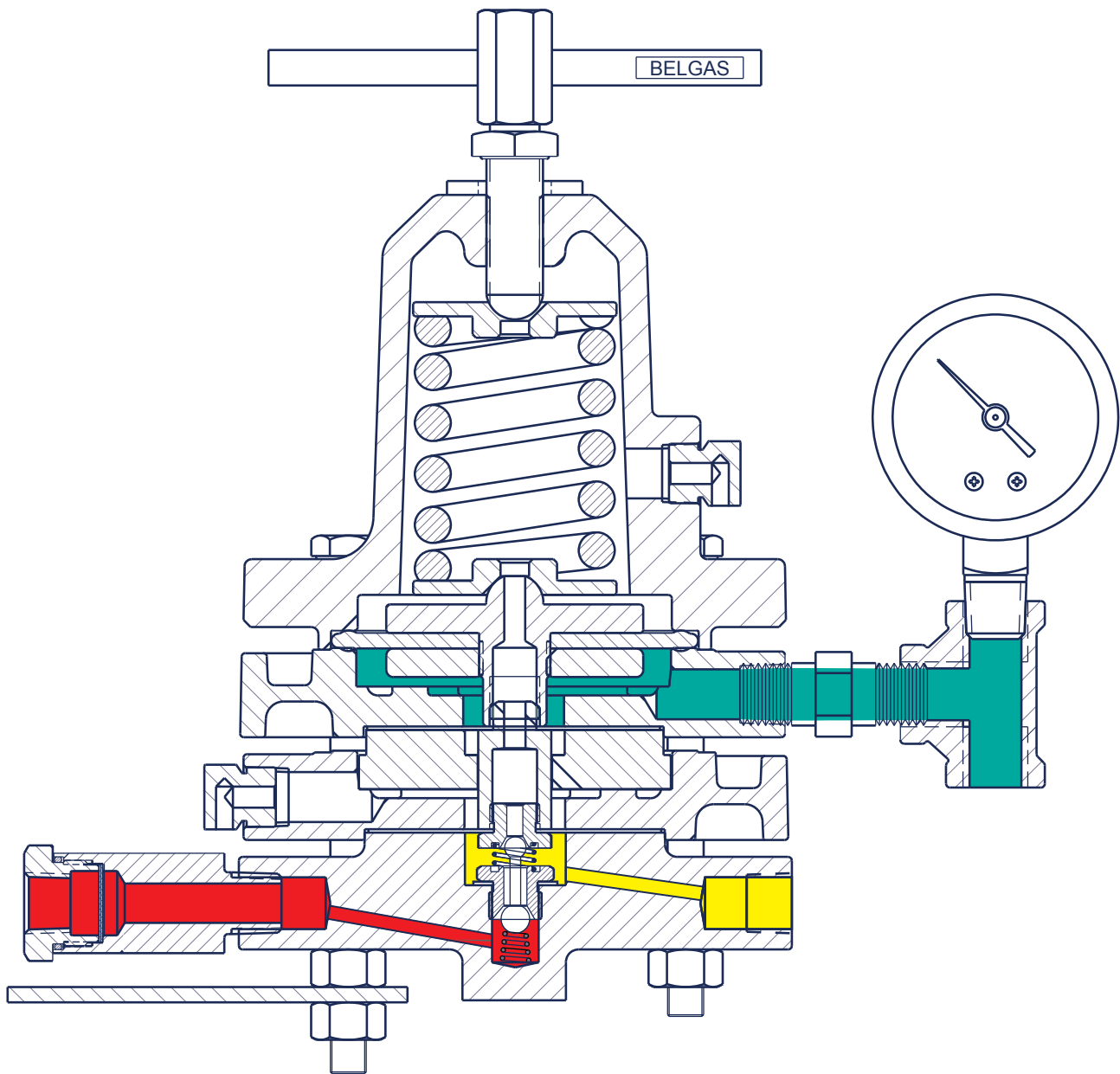
Item	Part Number	Description	Qty.
9	618-115-001	Upper Diaphragm, Fluorocarbon	1
12, 25	618-114-001	Fluorocarbon Diaphragm	2
16	624-115-000	Seat Gasket	1
17	813-053-000	Pilot Plug	1
18	655-786-001	Valve Spring	1
24	688-077-001U	Upper Seat	1
26	655-816-000	Pilot Spring	1
27	688-080-000	Lower Seat	1
31	647-030-000	Filter Screen	3
32	662-447-000	Teflon Washer	1

PL90 Parts List

Item	Description	Qty.	Part Number
1	T-Handle Adjustment Screw Subassembly	1	803-077-000
2	Hex Jam Nut	1	634-214-000
3	Sealing Washer	1	662-245-000
4	Bonnet	1	604-278-000
5	Spring, Compression	5-125 PSIG	655-815-000
		15-285 PSIG	655-797-000
6	3/8-16, Screw 4.0"	2	648-467-014
		2	638-119-000
7	Spring Plate	125 PSIG	638-095-000
		285 PSIG	638-119-000
8	Diaphragm Plate	1	638-120-000
		1	618-115-000
9	Upper Diaphragm	Polyurethane	618-115-001
		Fluorocarbon	618-115-001
10	Diaphragm Plate Nut	1	634-219-000
11	Upper Housing	1	629-261-000
12	Middle Diaphragm	Nitrile	618-114-000
		Fluorocarbon	618-114-001
13	Spacer Ring	1	654-207-000
14	Seat Extension	1	650-222-000
15	Breather Plug	2	639-144-000
16	Seat Gasket	1	624-115-000

Item	Description	Qty.	Part Number
17	Pilot Plug	1	813-053-000
18	Valve Spring	1	655-786-001
19	1/4" SS 0 - 300 PSIG Gauge	1	GG20300L4SSM-001
20	3/8-16, Screw 4.5"	2	648-467-013
21	1/4" Nipple	1	622-058-000
22	1/4" Female Tee	1	929B
23	Lower Housing	1	629-261-000
24	Upper Seat	1	688-077-001U
25	Lower Diaphragm	Nitrile	618-114-000
		Fluorocarbon	618-114-001
26	Pilot Spring	1	655-816-000
27	Lower Seat	1	688-080-000
28	Nut, 3/8-16	6	634-216-000
29	Base	1	629-280-000
30	Bracket	1	607-312-000
31	Filter Body	1	664-591-000
32	Filter Screen	3	647-030-000
33	O-Ring	Nitrile	649-000-008
		Fluorocarbon	649-000-211
34	Filter Cap	1	610-104-000
35	Teflon Washer*	1	662-447-000
36	1/8" Plug (Not Shown)	1	639-074-000





- SUPPLY GAS INLET
- SENSE PRESSURE
- VARIABLE OUTLET