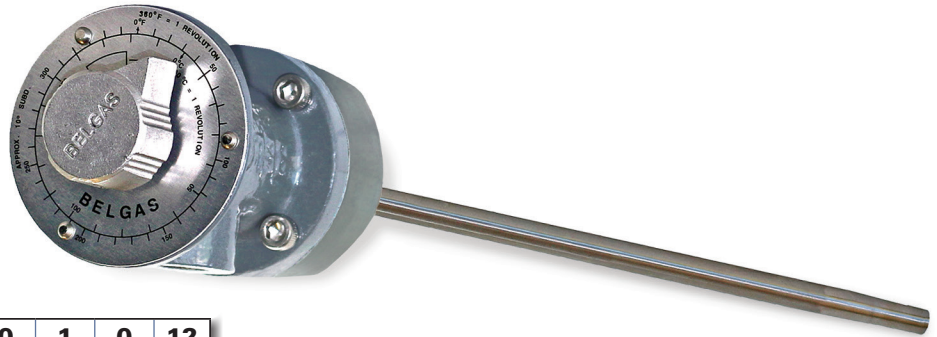


The BelGAS<sup>CP</sup> W100 series is a pneumatically operated temperature controller. Under indirect throttle mode, the controller output pressure will decrease when the system temperature rises. Under direct snap mode, the controller output pressure will increase when the system temperature rises.

## Applications

- Heaters
- Emulsion Treaters
- Reboilers
- Steam Generators
- Heat Exchangers
- Cooler Shutter Controls
- Salt Bath Heaters



## W100 Part Number Matrix

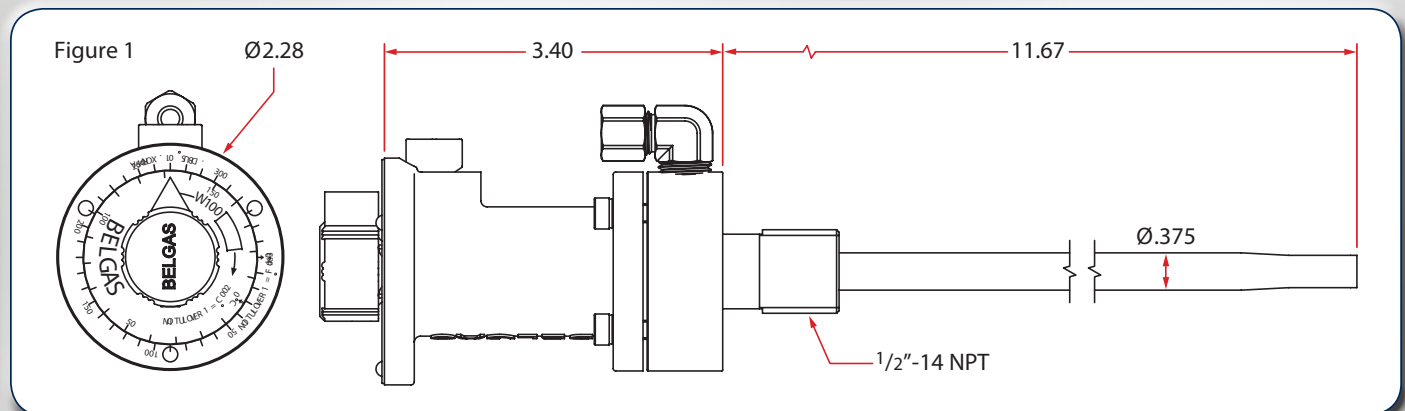
W100	0	0	0	P	04	0	1	0	12
<b>Style</b>									
wo/Monitor	0								
<b>Bonnet Material</b>									
Ductile Iron	0								
<b>Base Material</b>									
Carbon Steel	0								
<b>Elastomer Material</b>									
Nitrile				P					
<b>Connection Size</b>									
1/2" NPT w/No Thermowell					04				
3/4" NPT w/SS304 Thermowell (12")					06				
1" NPT w/SS304 Thermowell (12")					08				
3/4" NPT w/CS Thermowell (12")					10				
1" NPT w/CS Thermowell (12")					12				
<b>Place Holder</b>									
Place Holder Code						0			
<b>Place Holder</b>									
Place Holder Code							1		
<b>Temperature Range</b>									
30° to 400°F (-34° to 204°C)								0	
<b>Sensing Element Length</b>									
6"									06
12"									12

## Specifications

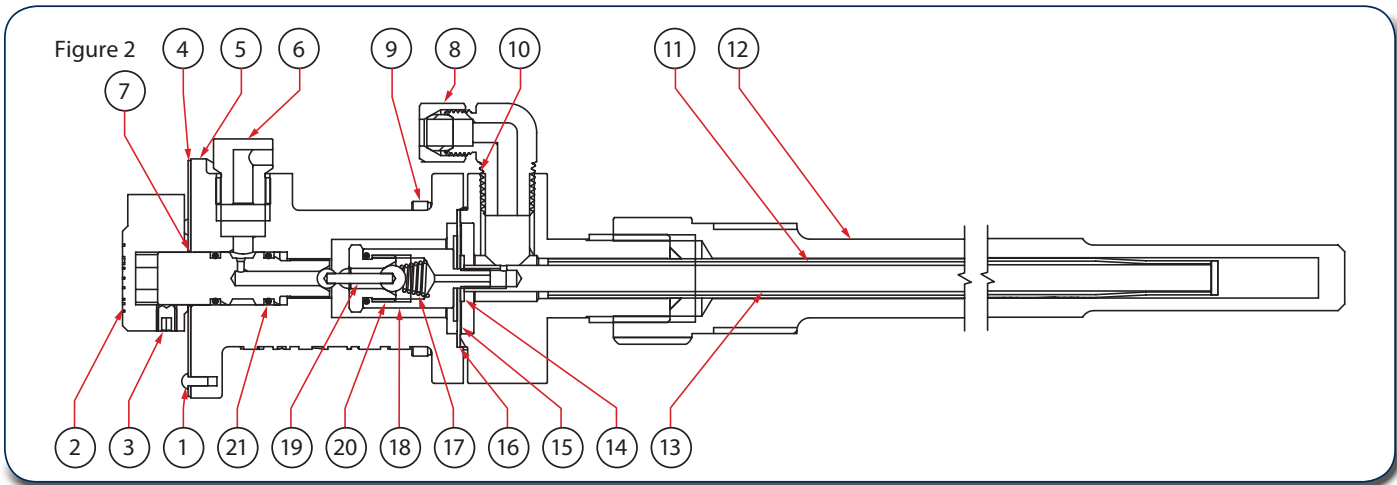
<b>Measurement Temperature Range</b>	-30° to 400°F (-34° to 204°C)
<b>Supply Pressure</b>	5 to 30 PSIG
<b>Working Pressure</b>	500 PSIG wo/ Thermowell 4000 PSIG w/ Thermowell
<b>Port Sizes of Inlet, Outlet and Exhaust Ports</b>	1/4" NPT

## Materials of Construction

Part	Material
Bonnet	Ductile Iron
Base	304 Stainless Steel
Sensing Element	304 Stainless Steel
Elastomers	Nitrile
Thermowell	304 Stainless Steel / Carbon Steel

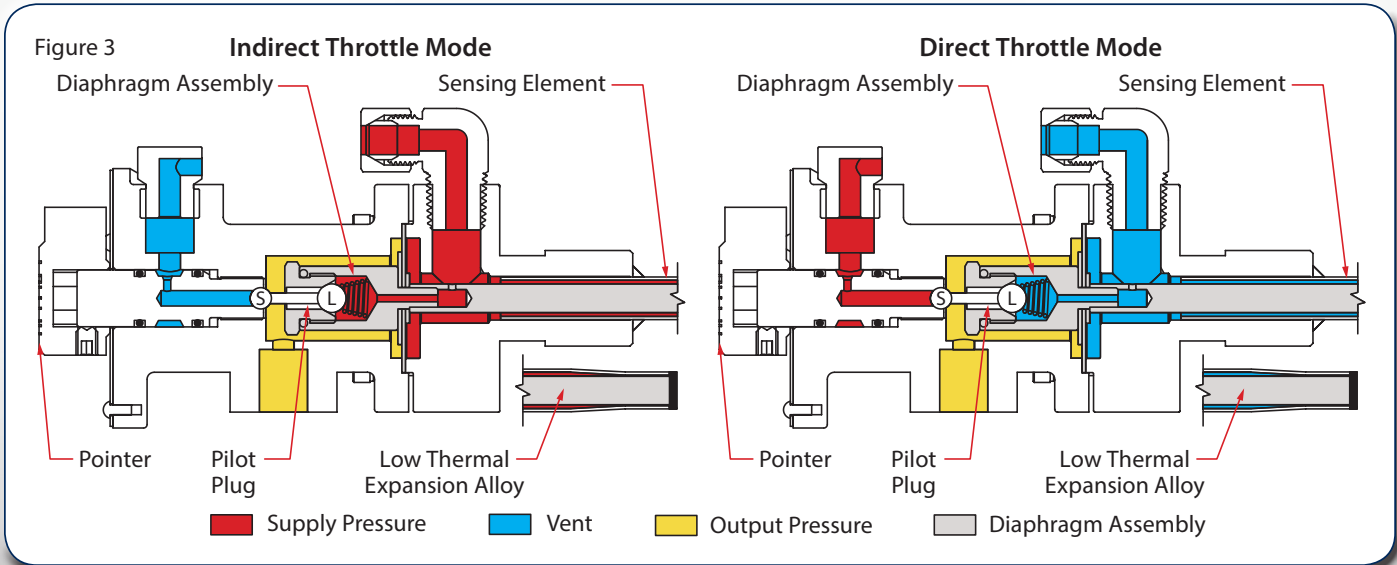


# W100 Parts List



Item	Description	Qty.	Part Number
1	Drive Screw	3	648-464-000
2	Pointer	1	695-010-000
3	Set Screw	1	648-000-424
4	Dial	1	632-574-000
5	Bonnet	1	604-273-000
6	Breather Plug	1	639-144-000
7	Seat	1	650-196-000
8	Elbow	1	622-079-000
9	Screw	4	648-000-243
10	Base	1	664-575-000
11	Sensing Element	1	660-121-000

Item	Description	Qty.	Part Number	
12	Thermowell (3/4" NPT)	1	Stainless Steel	658-059-000
			Carbon Steel	658-059-002
	Thermowell (1" NPT)	1	Stainless Steel	658-062-000
			Carbon Steel	658-062-002
13	Low Thermal Expansion Rod	1	651-106-000	
14	Lower Plate	1	638-090-000	
15	Upper Plate	1	638-089-000	
16	Diaphragm	1	618-110-000	
17	Spring	1	655-786-000	
18	Housing	1	629-258-000	
19	Pilot Plug	1	813-053-000	
20	Lower Seat	1	650-197-000	
21	O-ring	3	649-000-005	



Contact your BelGAS<sup>CP</sup> representative or go to [www.BelGASCP.com](http://www.BelGASCP.com) to learn more about our products.



**Trusted.  
Proven.  
Better.**

8019 Ohio River Blvd.  
Newell, WV 26050  
Toll Free: 800-727-5646  
sales@belgas.net  
www.BelGASCP.com

2221 SE 69th Street  
Oklahoma City, OK 73149  
Toll Free: 800-833-3127