

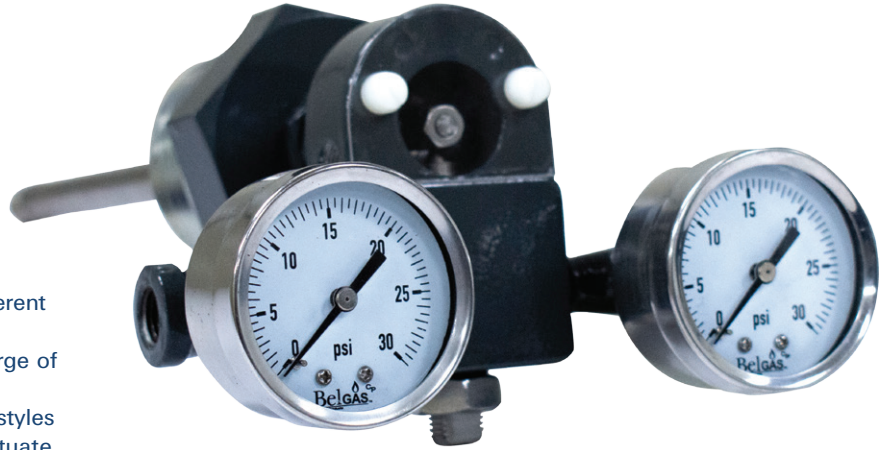
The BelGAS^{CP} P8500 series is a pneumatically operated liquid level controller with a simple design designed for use in liquid level and liquid interface control applications. Displacers of various materials, as well as different rod lengths are available.

Applications

- Separators
- Copressor Scrubbers
- Tanks
- Dehydrators
- Treaters

Features

- Displacers of various materials, as well as different rod lengths are available
- Used to actuate a valve which controls discharge of vessel liquid
- Offers both throttling and snap acting control styles
- The on/off signal can be used to control or actuate downstream devices



Specifications

Table 1

Inlet Pressure Range	20-30 PSIG
Output Pressure Range	3-20 PSIG Throttling
	0 (off) OR 20 (on) PSIG Snap Acting
Max Working Pressure	1500 PSIG
Connection Sizes	3", 4", 5" NPSL, 4", 5" ACME, 2" NPT
Housing Connection	1/4" NPT
Temperature Ranges	See Table 2

Table 2

Material	Temperature Range
Buna-N O-Rings & Diaphragms	-20° to +180°F
Fluorocarbon O-Rings	0° to +300°F
Acetal Displacer	-20° to +200°F
Phenolic Displacer	-20° to +275°F
PVC Displacer	-20° to +165°F

Materials of Construction

Part	Material
Displacer	See Table 2
Process Connection	Carbon Steel
Weldneck	Carbon Steel
Sight Glass	Polycarbonate
Sensing Rod	Stainless Steel
O-Ring	Buna-N or Fluorocarbon
Hammer Union	Carbon Steel
Housing	Aluminum
Gauges	Stainless Steel Case and Socket

P8500 Repair Kits

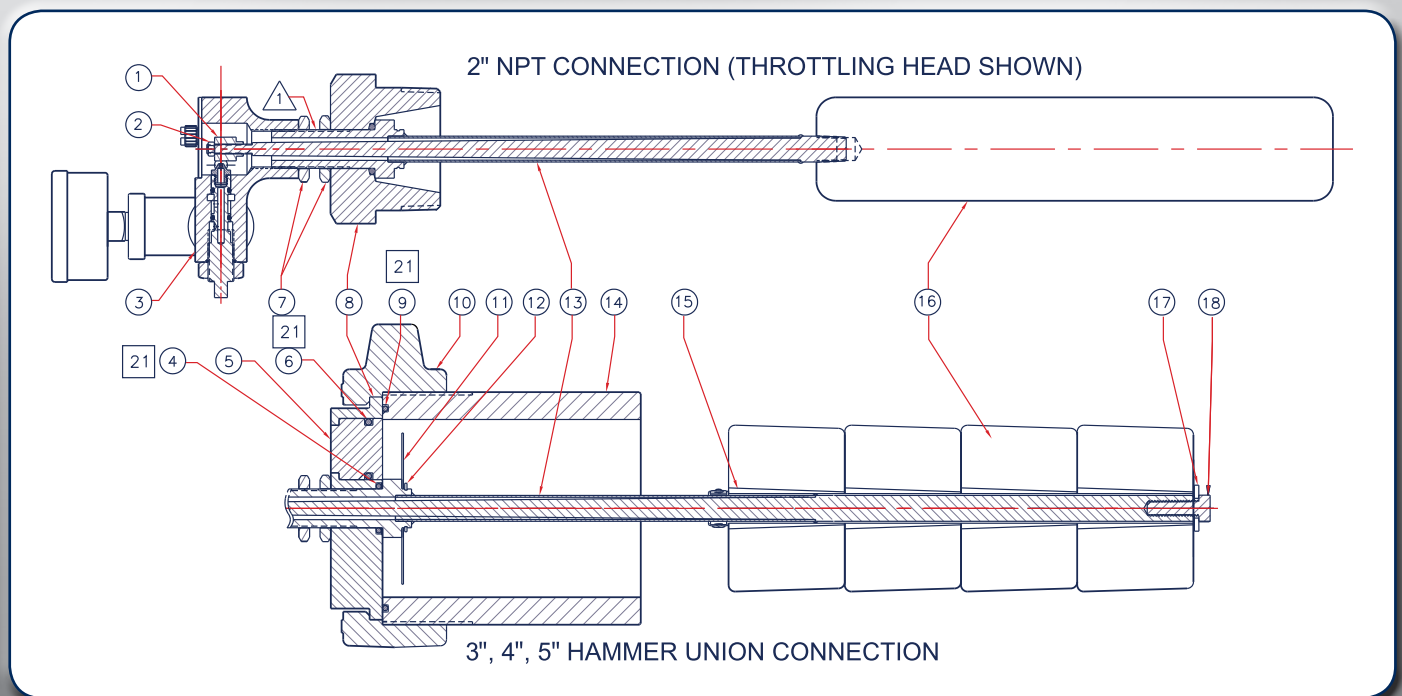
971P85				
	↑	↑	↑	Style
0				Throttling (Blind Flange or NPT)
1				Throttling (Sight Glass)
5				Snap (Blind Flange or NPT)
6				Snap (Sight Glass)
				Seal
0				Buna-N
2				Fluorocarbon
				Connection Size
2				2" NPT
3				3" NPSL
4				4" NPSL or ACME
5				5" NPSL
6				5" ACME

Description	Part Number
Snap-Action Housing, Buna-N	802-144-000-K
Snap-Action Housing, Fluorocarbon	802-144-001-K
Throttling Hd SubAsm., Buna-N	802-145-000-K
Throttling Hd SubAsm., Fluorocarbon	802-145-001-K
Adjustment Screw Sub Asm. Buna-N	803-080-000-K
Adjustment Screw Sub Asm. Fluorocarbon	803-089-001-K

P8500 Parts List

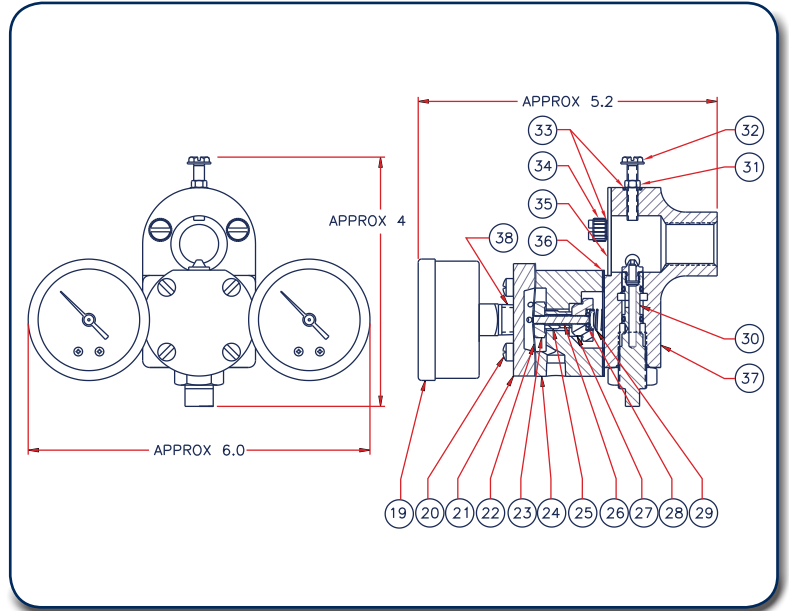
Item	Description	Qty.	Part Number
1	Seat Assembly	1	822-068-000
2	#10-32 Nut, SS	1	634-146-005
3	Cap Screw	2	Throttling Hd SubAsm., Buna-N
			Throttling Hd SubAsm., Fluorocarbon
			Snap Hd SubAsm., Buna-N
			Snap Hd SubAsm., Fluorocarbon
4	O-Ring	1	Buna-N
			Fluorocarbon
5	Sight Glass	3	638-158-000
6	O-Ring	3	Buna-N
			Fluorocarbon
7	Lock Nut	2	634-482-000
8	Flange	1	NPT Plug, 2"
			3" Blind
			4" Blind
			5" Blind
			4" Sight Glass
			5" Sight Glass
9	O-Ring	1	3" Buna-N
			4" Buna-N
			5" NPSL Buna-N
			5" ACME Buna-N
			3" Fluorocarbon
			4" Fluorocarbon
			5" NPSL Fluorocarbon
			5" ACME Fluorocarbon
10	Hammer Union	1	3" NPSL
			4" NPSL
			4" ACME
			5" NPSL
			5" ACME

Item	Description	Qty.	Part Number
11	Reflector Plate, Sight Glass Option Only	1	648-109-000
12	Retaining Ring, Sight Glass Option Only	1	693-039-000
13	Sensing Rod	1	Short
			Medium
			Long
14	Weldneck	1	3" x 5" NPSL
			3" x 8" NPSL
			4" x 5" NPSL
			4" x 8" NPSL
			4" x 5" ACME
			4" x 8" ACME
			5" x 5" NPSL
			5" x 8" NPSL
			5" x 6" ACME
			5" x 8" ACME
15	Shaft Collar	1	612-018-000
16	Displacer	1	Acteal 2" x 10"
			Acteal 2" x 12"
			Phenolic 2" x 10"
			Phenolic 2" x 12"
			Acteal 2.5" x 8"
			Acteal 2.5" x 7"
			Phenolic 2.5" x 8"
			Phenolic 3.25" x 2.75"
			3 Displacers Required for Liquid Gas Interface
			4 Dispacers Required for Liquid Liquid Interface
		1	715-010-000
	PVC	1	715-011-000
17	5/16 Washer	1	662-433-001
18	5/16-18 Hex Bolt, CS, 2" Lg	1	648-463-09



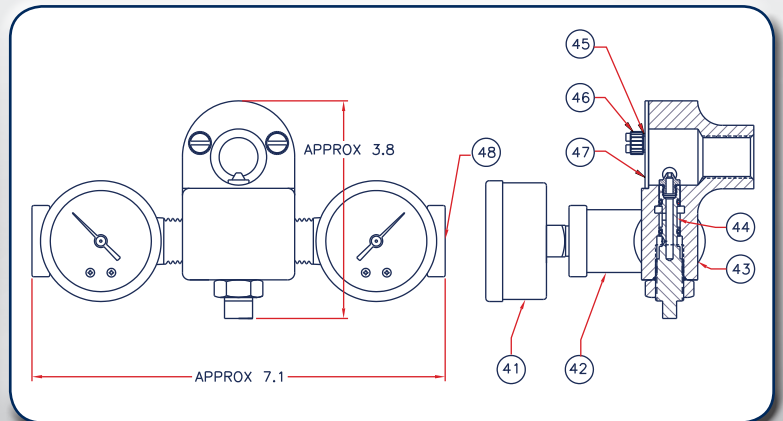
P8500 Snap Action Subassembly (P/N 802-144-00X-K)

Item	Description	Qty.	Part Number
19	Gauge CBM 1/4" 30 PSI SS	2	GG2030C4SSM-001
20	CS Screw #10-32 2" Lg	4	648-624-000
21	Diaphragm Cover	1	614-071-000
22	Diaphragm	1	618-122-000
23	Upper Seat, Molded	1	822-067-000
24	Booster Body	1	664-614-000
25	Spacer	1	654-202-000
26	#8-32 Screw, 1" Pan, SS	1	648-429-021
27	Lower Seat, Molded	1	822-066-000
28	O-Ring	Buna-N	649-000-193
		Fluorocarbon	010-097-000
29	Spring	1	655-836-000
30	Adjustment Screw SubAsm	Buna-N	803-080-000-K
		Fluorocarbon	803-080-001-K
31	#10-32 Nut, SS	1	634-146-005
32	#10-32 Screw, 1" Lg, SS	1	648-642-000
33	O-Ring	Buna-N	649-000-001
		Fluorocarbon	649-297-000
34	#10-32 Plastic Screw	2	648-600-000
35	Plastic Cover	1	614-070-000
36	Gasket	1	824-123-000
37	Housing, Snap Acting	1	824-274-000
38	Meallable Iron Elbow	2	622-102-000



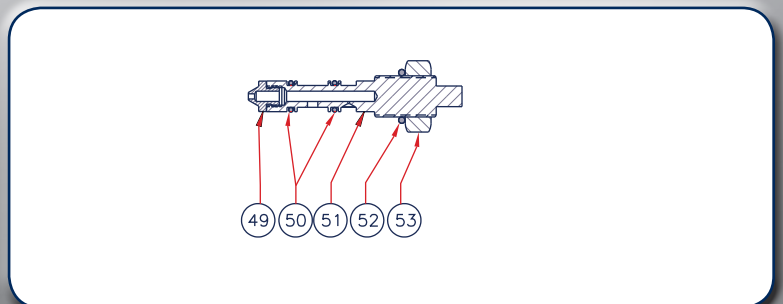
P8500 Throttling Head Subassembly (822-145-00X-K)

Item	Description	Qty.	Part Number
41	Guage CBM 1/4" 30 PSI SS	2	GG2030C4SSM-001
42	Iron 1/4" NPT Tee FxFxM	1	662-064-001
43	Housing, Throttling	1	629-275-000
44	Adjustment Screw SubAsm	Buna-N	803-080-000-K
		Fluorocarbon	803-080-001-K
45	O-Ring	Buna-N	649-000-001
		Fluorocarbon	649-297-000
46	#10-32 Plastic Screw	2	648-600-000
47	Plastic Cover	1	614-070-000
48	1/4" Port Plug	2	610-000-030



P8500 Adjustment Screw Assembly (803-080-00X-K)

Item	Description	Qty.	Part Number
49	Orifice	1	680-028-000
50	O-Ring	Buna-N	649-000-003
		Fluorocarbon	649-288-000
51	Adjustment Screw	1	648-599-000
52	O-Ring	Buna-N	649-000-006
		Fluorocarbon	649-295-000
53	1/2-20 SS Nut	1	634-185-000



P8900 Series Ordering Matrix



P85										0		
	↑↑	↑↑	↑	↑	↑	↑↑	↑	↑	↑		Style	
		00									Pneumatic Throttling	
		50									Pneumatic Snap Acting	
											Connection Size	
		16									2"	
		30									3"	
		40									4"	
		50									5"	
											Process Connection	
			S								Male NPT Busing (2" Only)	
			U								Hammer Union NPSL V Thread (3" and Up)	
			A								Hammer Union ACME Thread (4" and Up)	
											Process Connection Version	
			O								None, Blind Hammer Union or NPT	
			G								Sight Glass Hammer Union	
											Rod Type	
			A								Short (Screw-On)	
			M								Medium (Screw-On)	
			L								Long (Slide-On)	
											Displacer	
			10								2" X 10" Acetal Screw-On	
			20								2" X 12" Acetal Screw-On	
			30								2" X 10" Phenolic Screw-On	
			40								2" X 12" Phenolic Screw-On	
			50								2.5" X 8" Acetal Screw-On	
			60								2.5" X 7" Acetal Screw-On	
			70								2.5" X 8" Acetal Slide-On	
			80								3.25 X 2.75 Phenolic Slide-On (3)*	* 3 Displacers required for Liquid Gas Interface
			90								3.25 X 2.75 Phenolic Slide-On (4)**	** 4 Displacers required for Liquid Gas Interface
			00								2.75 X 10" PVC Screw-On***	*** 2.75 X 10" Displacer Applicable for Either Liquid Gas or Liquid Liquid Interface
											Weldneck Length	
			0								None, Not Applicable	
			5								5"	
			6								6" (Only available for 5" pipe with ACME thread)	
			8								8"	
											Seal Material	
			0								Buna-N	
			2								Fluorocarbon	
										0		

BelGAS™, and the BelGAS "CP" are trademarks of the Marsh Bellofram Company - 2019. Photographs, illustrations and specifications are current product information at the time of publication. The right is reserved to make changes to specifications at any time. Visit www.BelGAS.net for the latest revisions.